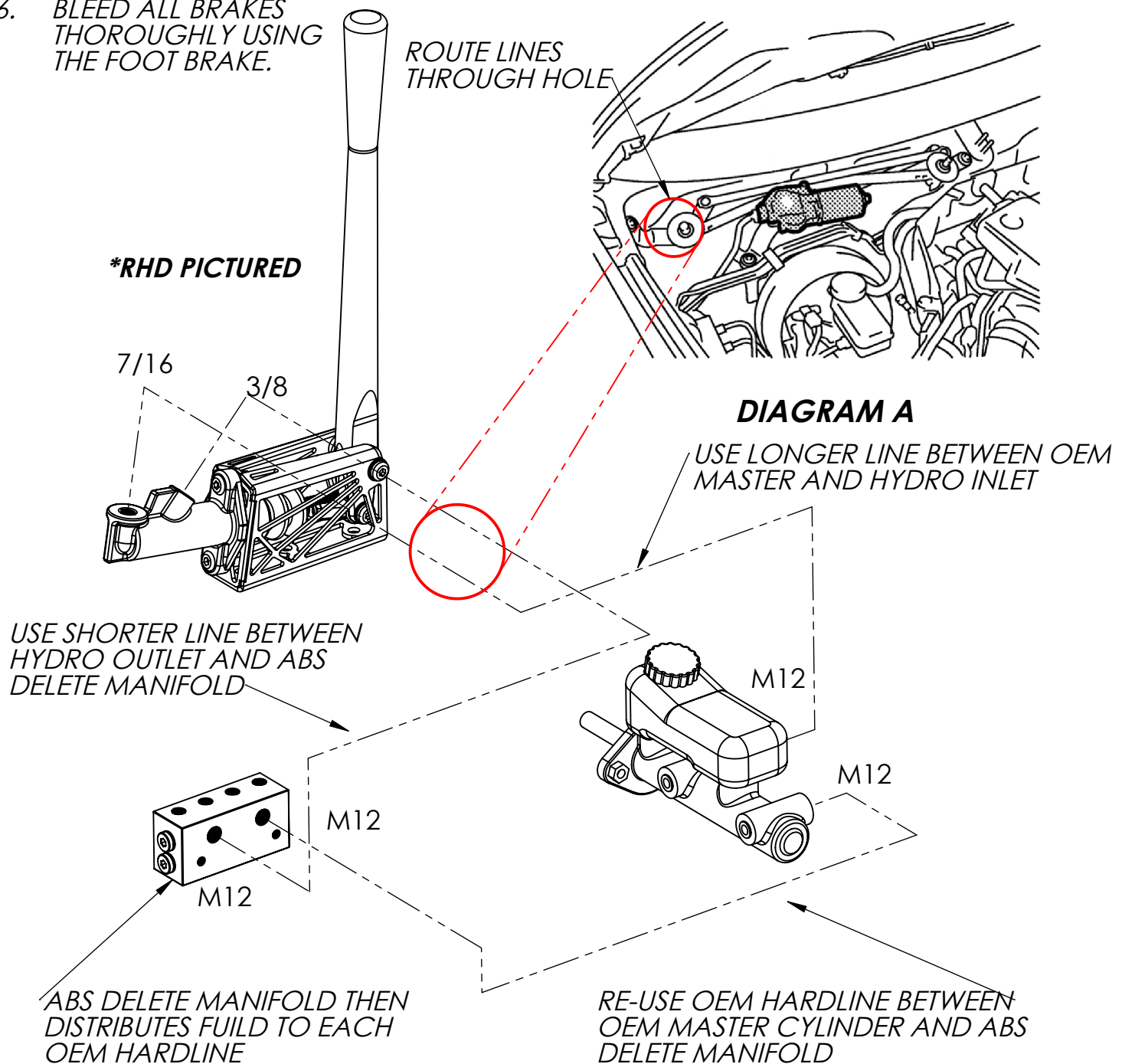


# Z34 INLINE BUNDLE

1. REMOVE THE COVERS, WINDSCREEN TRIMS AND WIPER ASSEMBLY.
2. LOCATE A CLEAR FLAT AREA IN THE CORNER OF THE ENGINE BAY (DIAGRAM A).
3. LOOK IN THE DRIVER FOOTWELL AND CONFIRM THERE IS CLEARANCE FOR A 30MM HOLE. BE CAREFUL OF ANY WIRING. FIND THE CENTRE OF THIS FLAT AREA AND DRILL A SMALL HOLE. DOUBLE CHECK FOR CLEARANCE.
4. USE A STEPPER DRILL BIT TO DRILL A 30MM HOLE IN THIS LOCATION AND INSTALL THE RUBBER GROMMET PROVIDED.
5. INSTALL BRAKE LINES USING ROUTING DIAGRAM B. INSTALL LINES TO THE HANDBRAKE FIRST, THEN TO THE MASTER CYLINDER / ABS DELETE MANIFOLD.
6. BLEED ALL BRAKES THOROUGHLY USING THE FOOT BRAKE.



**DIAGRAM B**