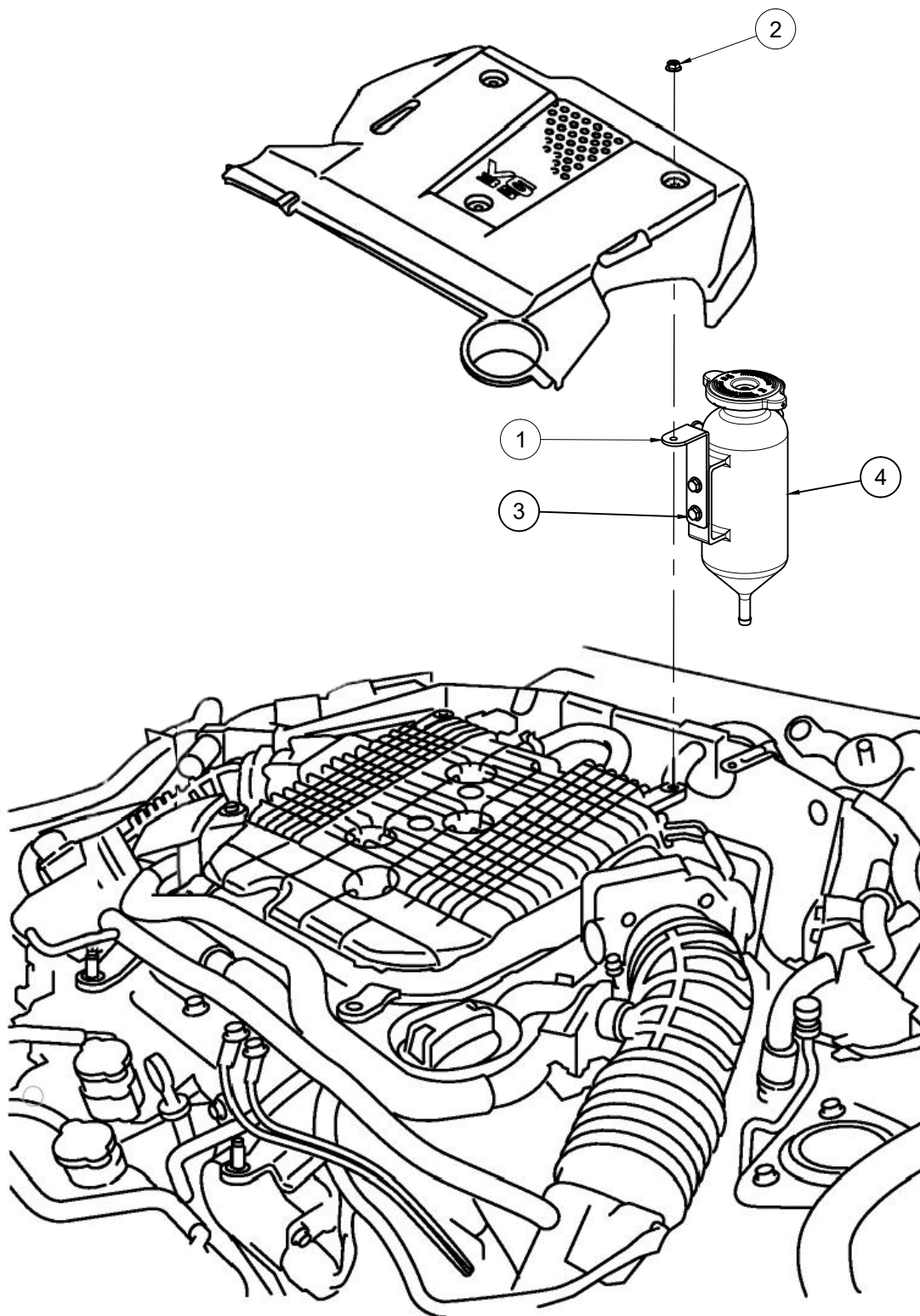


33HR-SWRL

**** Recommended to install ALL hoses and the bracket PRIOR to installing into final position due to space limitations ****



4	1	SWIRL POT
3	2	M6 x 1.0 x 15 FLANGE BOLT
2	3	M6 x 1.0 FLANGE NUT
1	1	VQ35HR SWIRL POT BRACKET
Item	Qty	Part Name
Parts List		