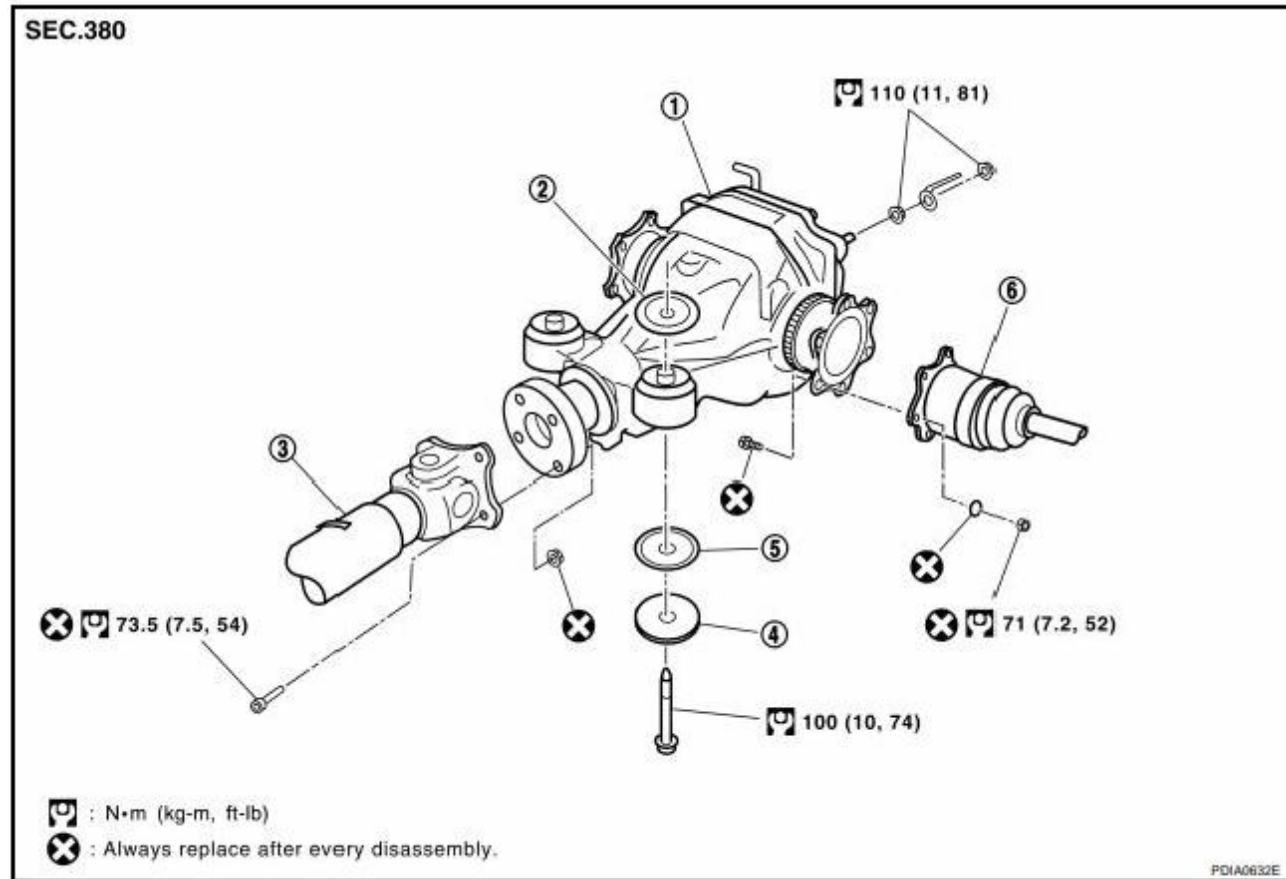


DIFF REMOVAL

- Step 1. Remove any subframe bracing to gain access to the diff.
 Step 2. Remove propeller shaft and drive shaft bolts .
 Step 3. Remove breather hose and ABS sensors.
 Step 4. Support the diff and remove front and rear diff mount nut/bolts.
 Step 5. Lower and remove diff.



- | | | |
|------------------------------|------------------|--------------------|
| 1. Rear final drive assembly | 2. Upper stopper | 3. Propeller shaft |
| 4. Washer | 5. Lower stopper | 6. Drive shaft |