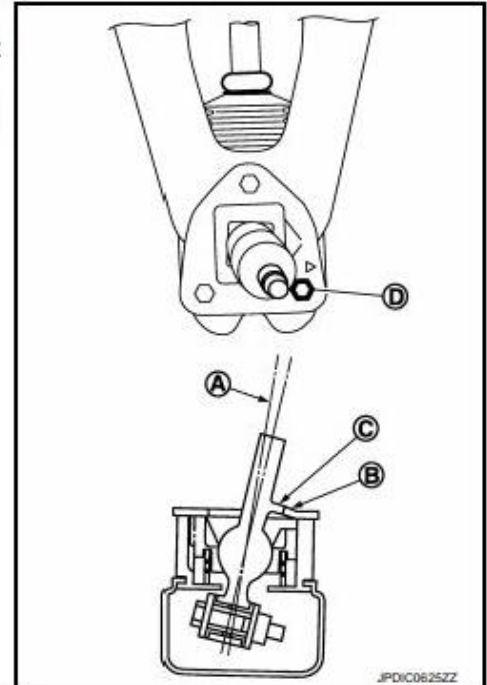


Z334-SHFT

2/2

- a. Shift the control lever to 6th gear position (A).
- b. Lightly shift control lever to the reverse gear direction until it stops, and keep control lever in this position.
- c. Set guide plate so that guide plate portion (B) contacts control lever portion (C).
- d. Temporarily tighten mounting bolt (D).



- e. Shift the control lever to 5th gear position (A).
- f. Lightly shift control lever to the reverse gear direction until it stops, and keep control lever in this position.
- g. Set guide plate so that guide plate portion (B) contacts control lever portion (C).
- h. Tighten mounting bolt (D) to the specified torque.
- i. Tighten mounting bolts (E) and (F) to the specified torque.

