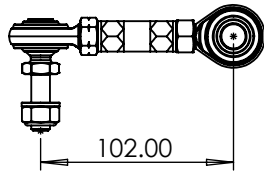
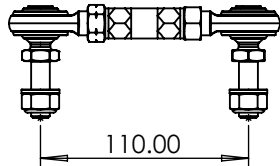


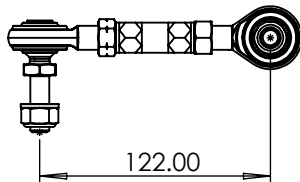
MIN ADJUSTMENT



OEM ADJUSTMENT



MAX ADJUSTMENT



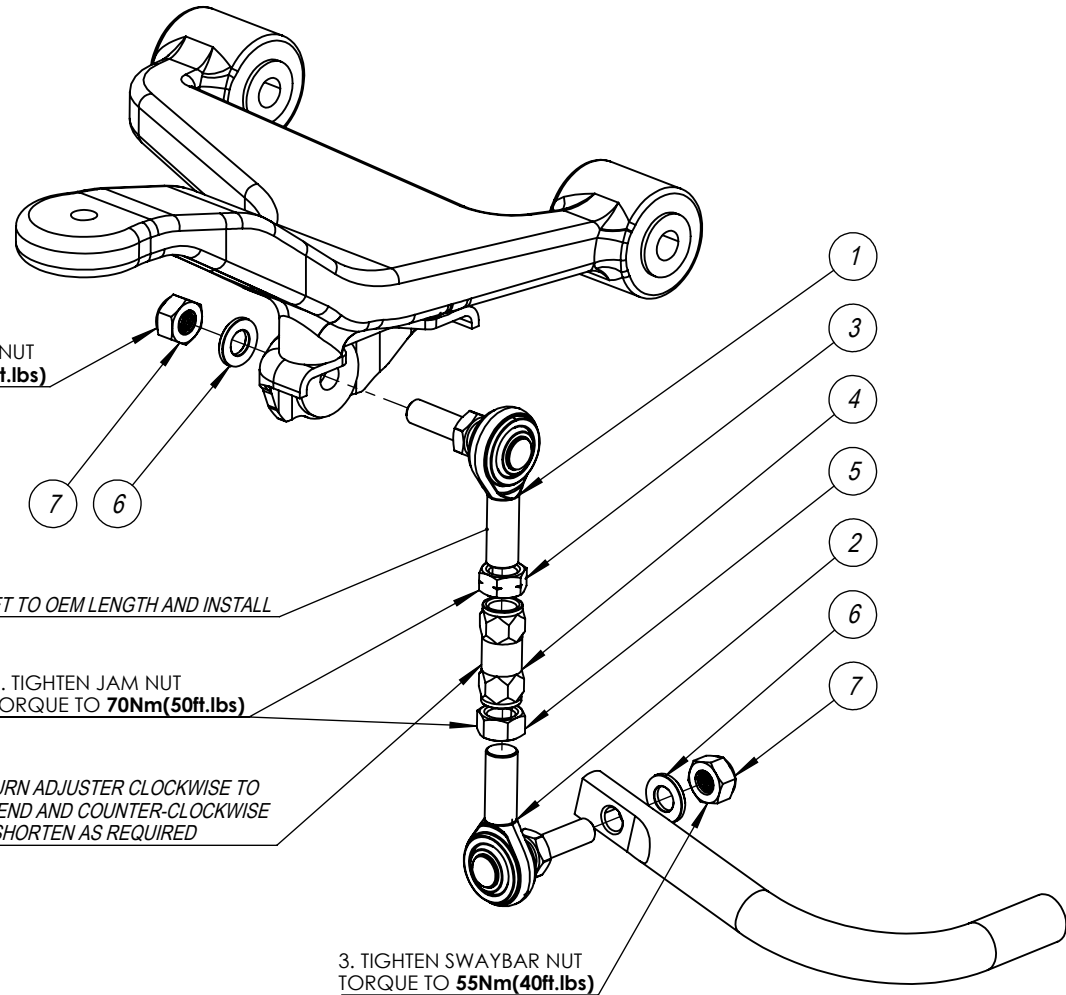
2. TIGHTEN SWAYBAR NUT
TORQUE TO **55Nm(40ft.lbs)**

1. SET TO OEM LENGTH AND INSTALL

5. TIGHTEN JAM NUT
TORQUE TO **70Nm(50ft.lbs)**

4. TURN ADJUSTER CLOCKWISE TO
EXTEND AND COUNTER-CLOCKWISE
TO SHORTEN AS REQUIRED

3. TIGHTEN SWAYBAR NUT
TORQUE TO **55Nm(40ft.lbs)**



ITEM NO.	DESCRIPTION	QTY.
1	ACML8TS-10	1
2	ACMR8TS-10	1
3	NUT 1/2-20 L/H UNF	1
4	Z33 End Link Turnbuckle - 42mm	1
5	NUT 1/2-20 R/H UNF	1
6	DIN125 Zinc-Plated Steel Washer	2
7	DIN 985 Nylon Locking Nut Zinc	2