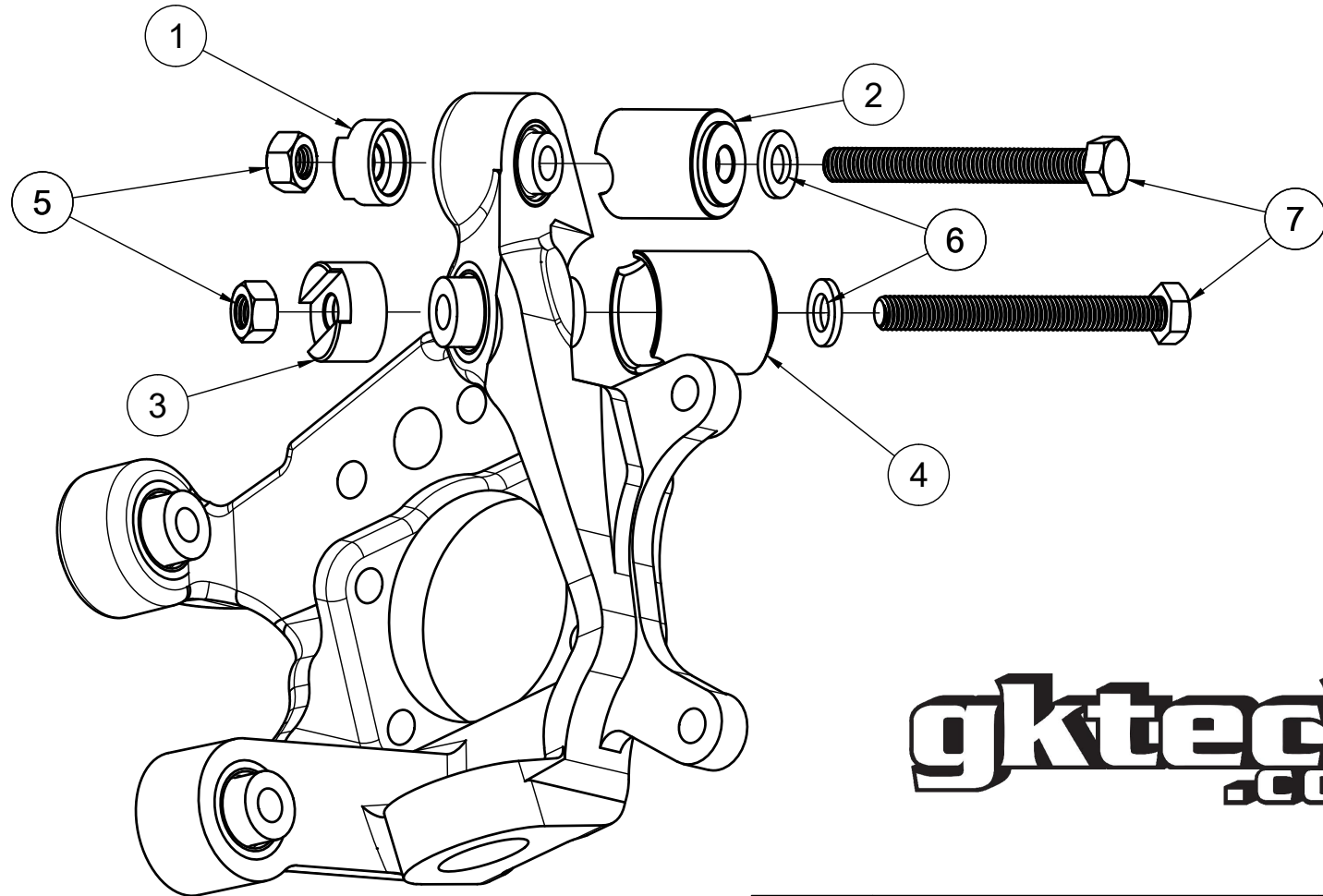


Z334-KRMV

PAGE 1/3

PREPARATION



gktech
.com

- REMOVE THE KNUCKLE BUSH REMOVERS FROM THE PACKET AND MATCH UP THE PULL WASHERS WITH THE CLEARANCE CUPS. (THE CORRESPONDING PULL WASHER WILL SIT SNUGLY INSIDE ITS CUP)
- APPLY GREASE TO THE THREADS OF THE SCREW AND NUT BEFORE USE. OF PRIMARY IMPORTANCE ARE THE THREADS IN THE LAST THIRD OF THE SCREW AS THESE WILL EXPERIENCE THE MOST LOAD.

7	M12 x 1.75 x 110 SCREW	2
6	M12 WASHER	2
5	M12 x 1.75 NUT	2
4	36MM CLEARANCE CUP	1
3	36MM PULL WASHER	1
2	31MM CLEARANCE CUP	1
1	31MM PULL WASHER	1
Item	Description	Qty
Parts List		

Z334-KRMV

PAGE 2/3 REMOVAL

1. SELECT THE CORRECT SIZE TOOL FOR THE BUSH USING **DIAGRAM C**.
2. APPLY GREASE TO THREADS BEFORE USE.
3. ASSEMBLE THE TOOL FOR REMOVAL AS SHOWN IN **DIAGRAM A**.
4. TIGHTEN THE TOOL UNTIL THE BUSH IS PULLED FULLY IN TO THE CLEARANCE CUP (**DIAGRAM B**).

AT THIS POINT THE BUSH AND TOOL SHOULD COME LOOSE.
5. LOOSEN THE NUT AND REMOVE THE BUSH FROM THE TOOL.
6. INSPECT THE THREADS OF THE SCREW AND RE-APPLY GREASE IF NECESSARY.
7. REPEAT STEPS 1-6 FOR EACH OF THE BUSHES.

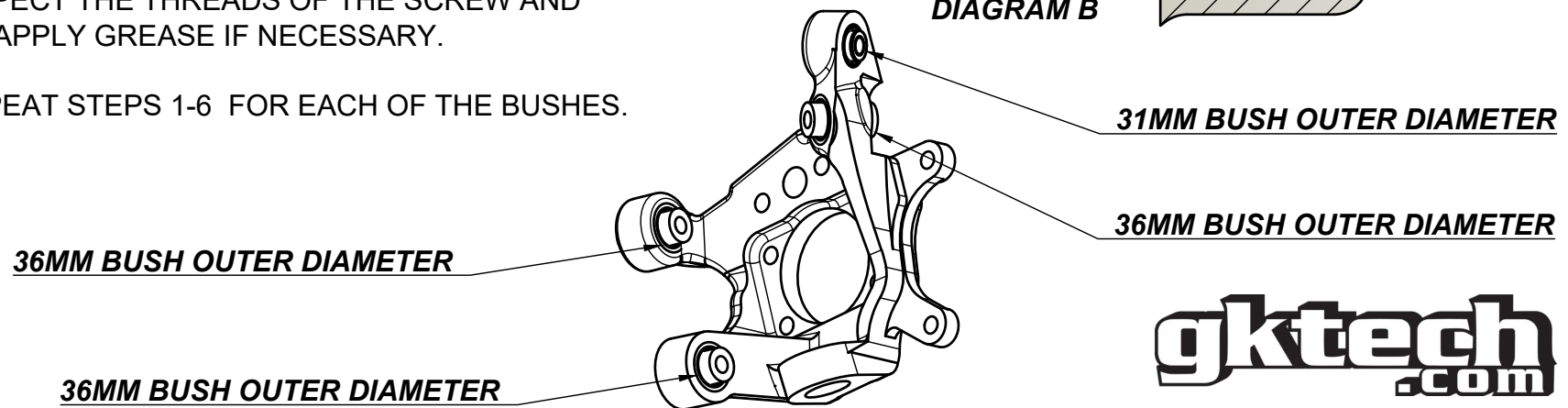
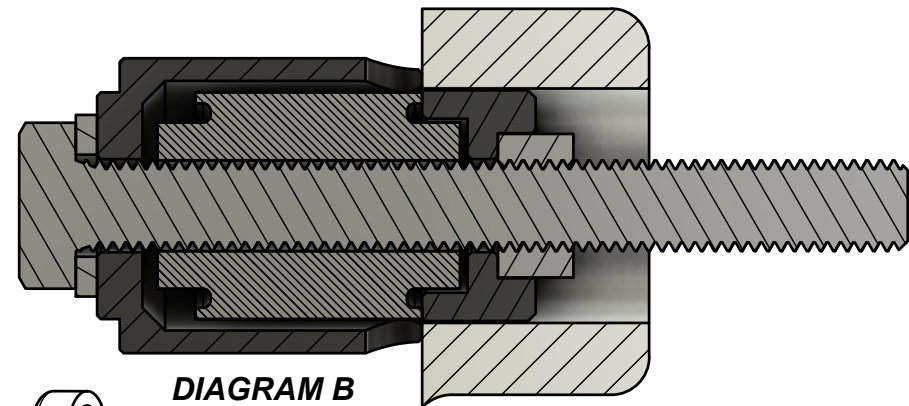
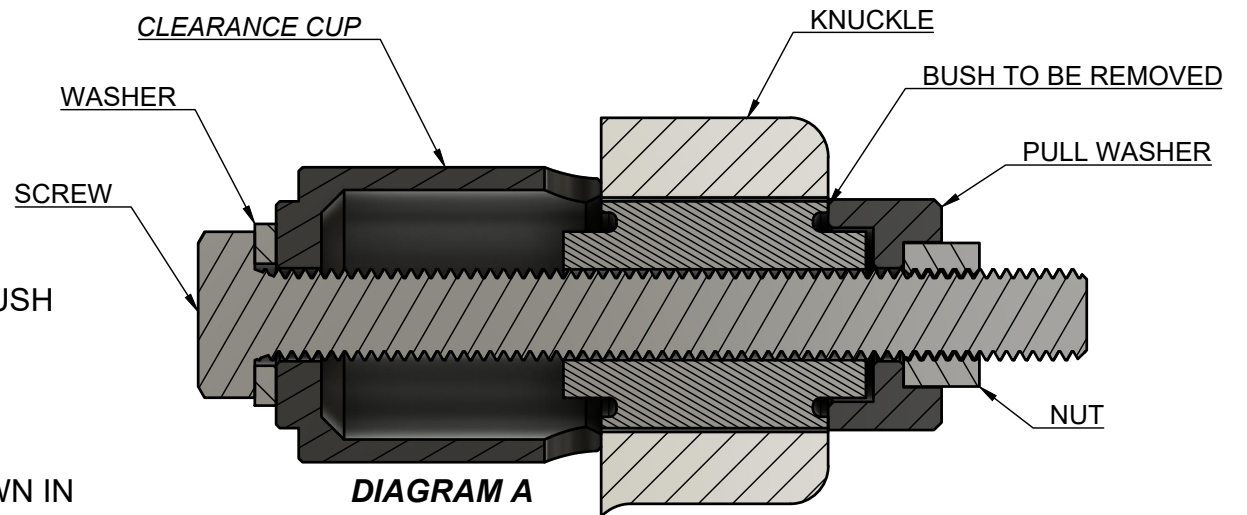


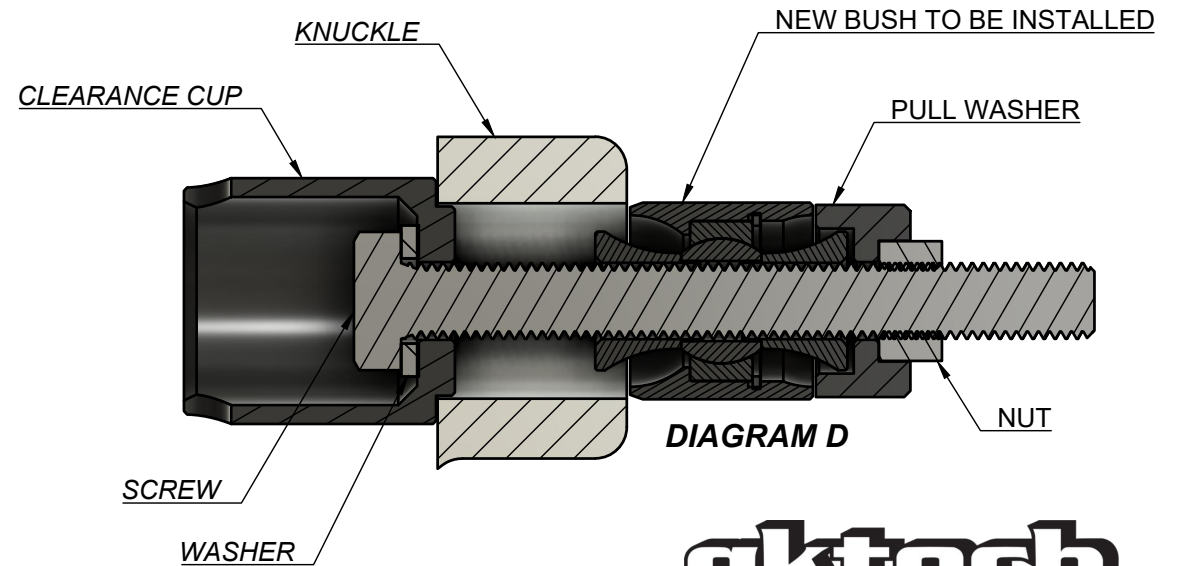
DIAGRAM C

Z334-KRMV

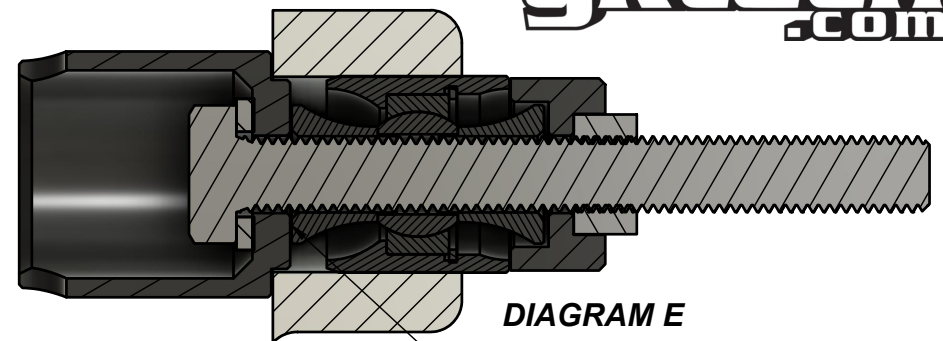
PAGE 3/3

INSTALL

1. SELECT THE CORRECT SIZE TOOL FOR THE BUSH USING **DIAGRAM C** ON THE PREVIOUS PAGE.
2. ASSEMBLE THE TOOL FOR INSTALL AS SHOWN IN **DIAGRAM D**.
3. TIGHTEN THE SCREW UNTIL YOU FEEL A SHARP INCREASE IN TORQUE. (THIS WILL BE THE BUSH BOTTOMING OUT AS SHOWN IN **DIAGRAM E**)
4. REMOVE THE TOOL AND RE-ASSEMBLE AS SHOWN IN **DIAGRAM F**.
5. SLOWLY TIGHTEN THE BUSH WHILE CHECKING PROGRESS THROUGH THE VIEWING CUTOUT.
6. ONCE THE BUSH IS FULLY SEATED, REMOVE THE TOOL.
7. REPEAT STEPS 1-6 UNTIL ALL BUSHES ARE INSTALLED.



gktech
COM



IN THIS SETUP THE
BUSH BOTTOMS OUT HERE

USE THIS VIEWING CUTOUT
TO VIEW WHEN THE
BUSH IS FULLY SEATED

