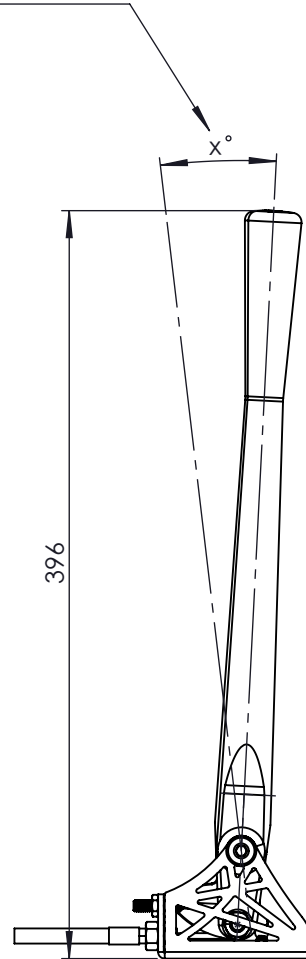
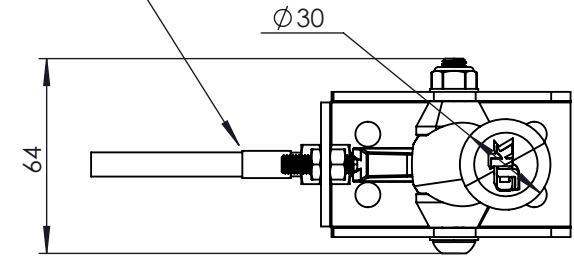


CLEARANCE REQUIRED IN THIS AREA TO KEEP CABLE PULL STRAIGHT

STATIC ANGLE CAN BE ADJUSTED



CLEARANCE REQUIRED IN THIS AREA TO KEEP CABLE PULL STRAIGHT



HEIGHT CAN BE REDUCED BY USING A REMOTE RESERVOIR MASTER CYLINDER

