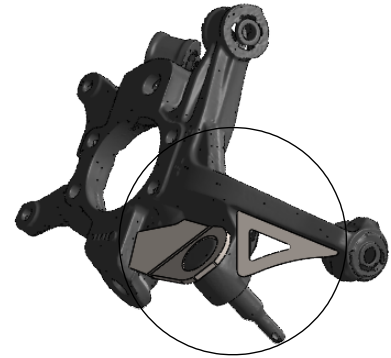


SCHA-RKSR / SCHA-RKTR

1. REMOVE KNUCKLES FROM THE VEHICLE AND USE A GRINDER TO CLEAN AND STRIP TO BARE METAL THE AREA WHICH YOU INTEND TO WELD.

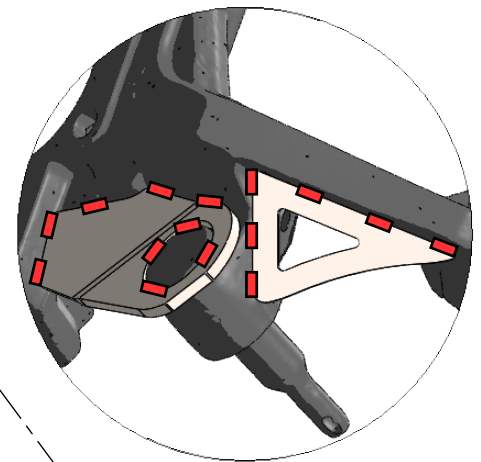
2. SIT THE KNUCKLE ON THE TABLE SUCH THAT THE INSIDE IS FACING DOWN.

WHILE ON THIS SIDE, ALIGN BOTH THE STRUT AND TOE REINFORCEMENTS (AS SHOWN TO THE RIGHT) AND TACK WELD INTO PLACE.



3. ROTATE THE KNUCKLE AND ENSURE YOU ARE SATISFIED WITH THE FITMENT.

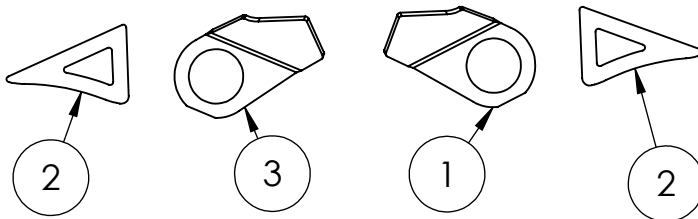
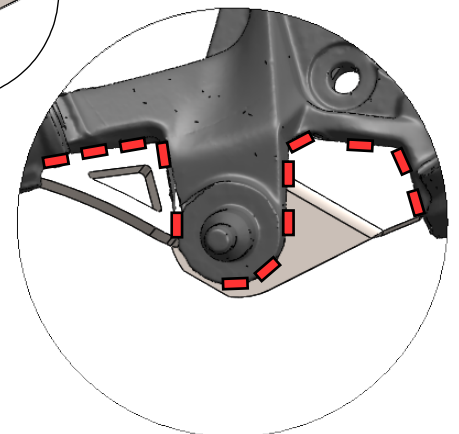
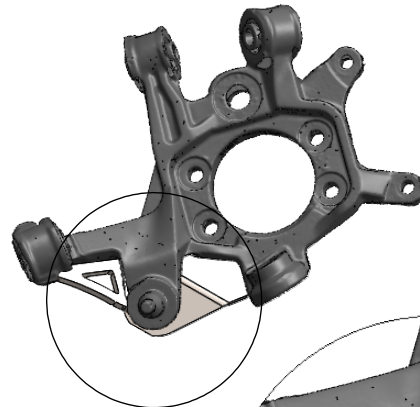
THEN STITCH WELD THE REINFORCEMENTS IN THE HIGHLIGHTED LOCATIONS.



4. FLIP OVER THE KNUCKLE AND STITCH WELD THE OUTSIDE IN THE HIGHLIGHTED LOCATIONS.

5. PAINT YOUR REINFORCED KNUCKLES TO INHIBIT RUST AND CORROSION.

6. REINSTALL INTO YOUR VEHICLE.



ITEM NO.	DESCRIPTION	QTY.
1	KNUCKLE STRUT REINFORCEMENT LHS	1
2	KNUCKLE TOE REINFORCEMENT	2
3	KNUCKLE STRUT REINFORCEMENT RHS	1