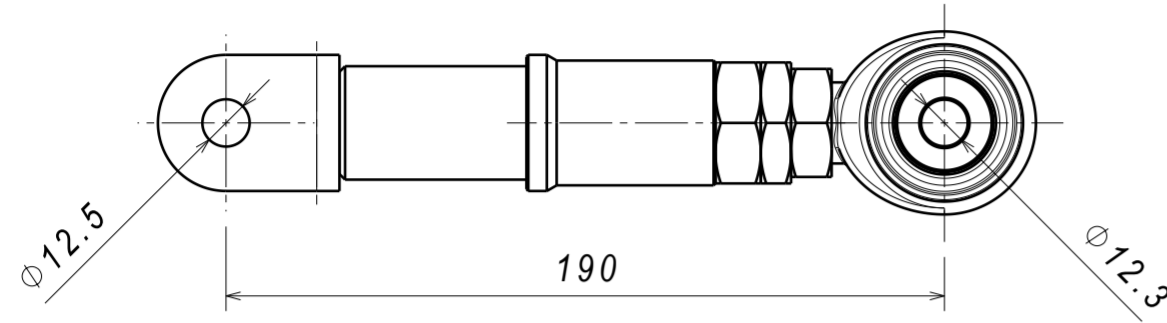
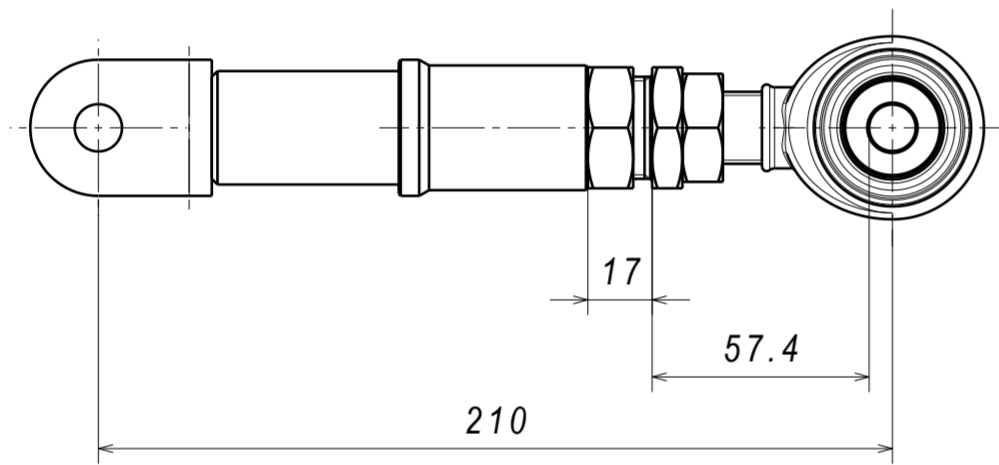


REAR-TRTN

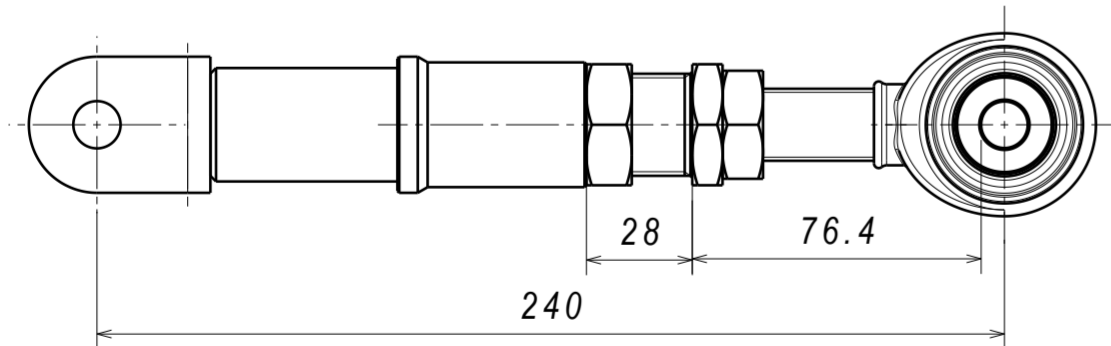
SUGGESTED ARM LENGTH ADJUSTMENT MEASUREMENTS



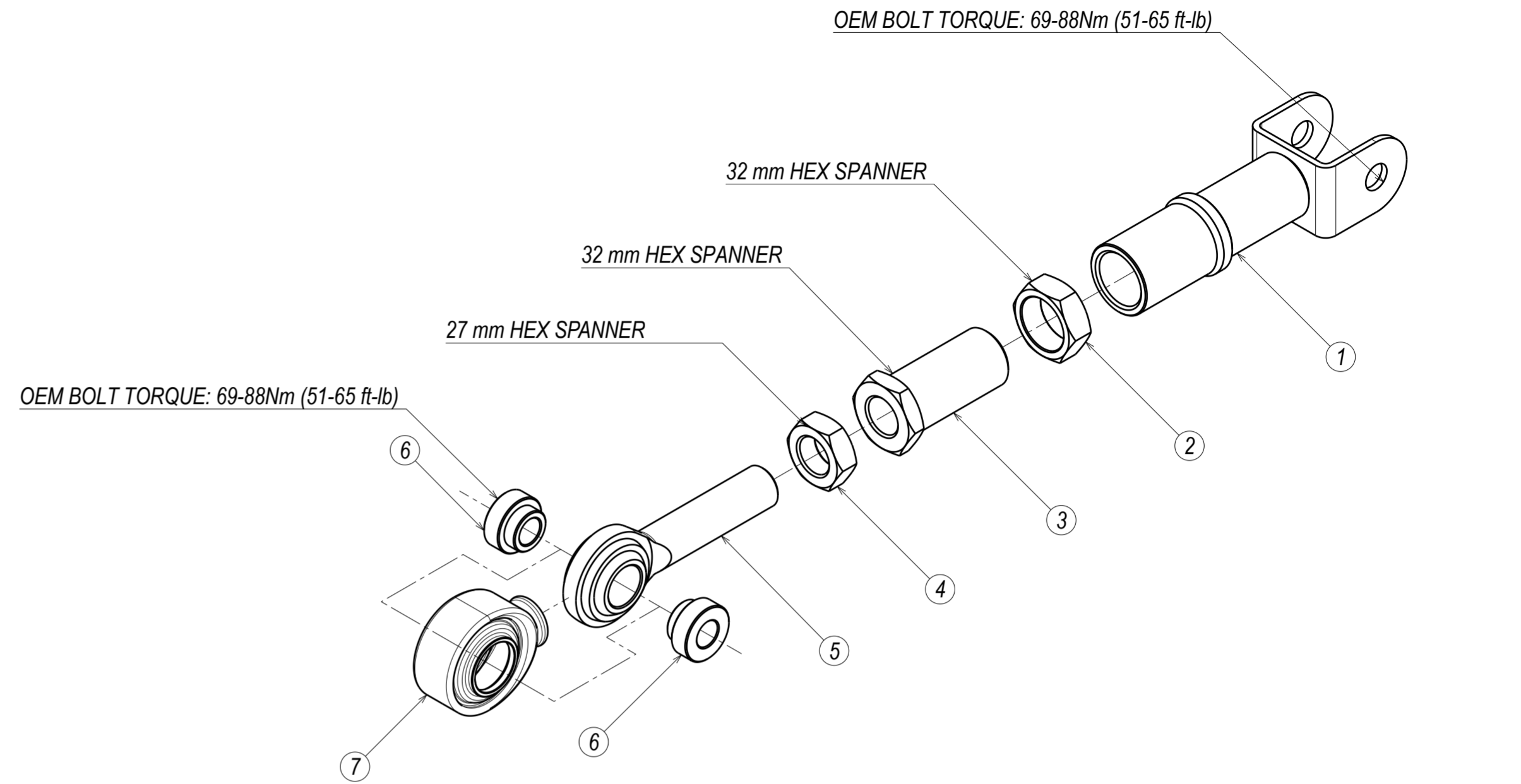
MINIMUM LENGTH - 190 mm
(MEASURED BETWEEN HOLE CENTERS)



OEM LENGTH - 210 mm



MAXIMUM LENGTH - 240 mm



CRITICAL!

CHECK FOR ROD END BEARING ALIGNMENT
AFTER TIGHTENING THE ADJUSTING MECHANISM
ROD END TO BE PERPENDICULAR TO THE SPACERS

