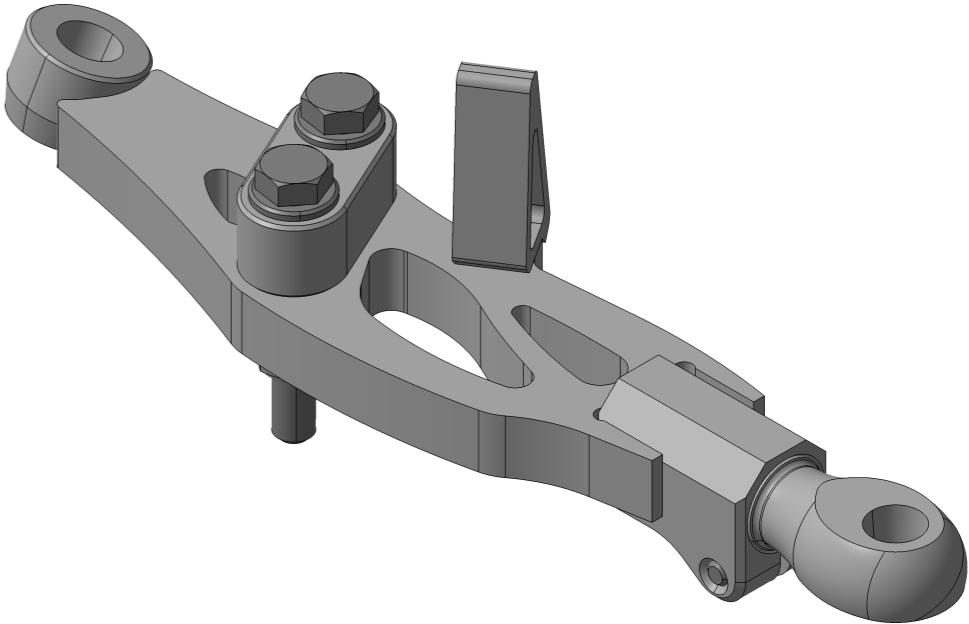
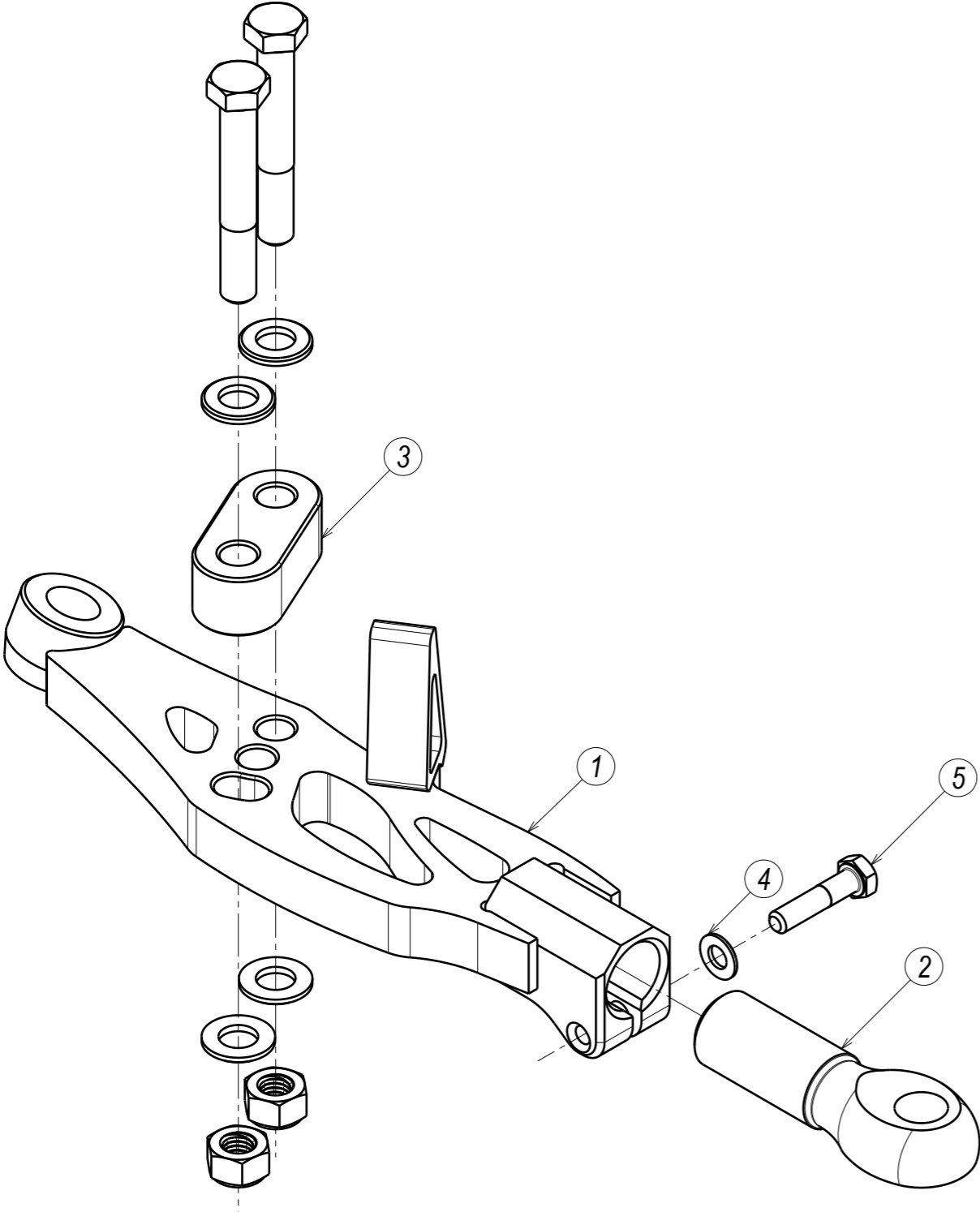
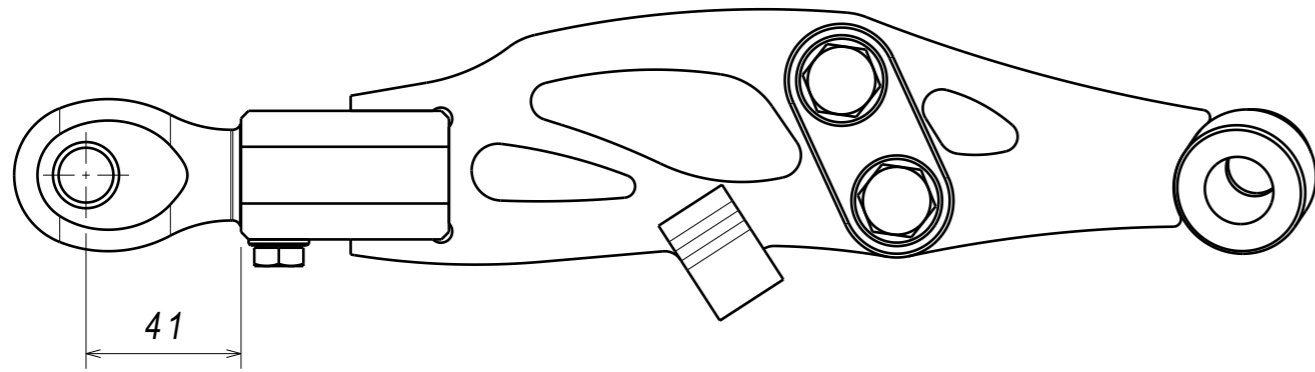


# R32R-FLCA

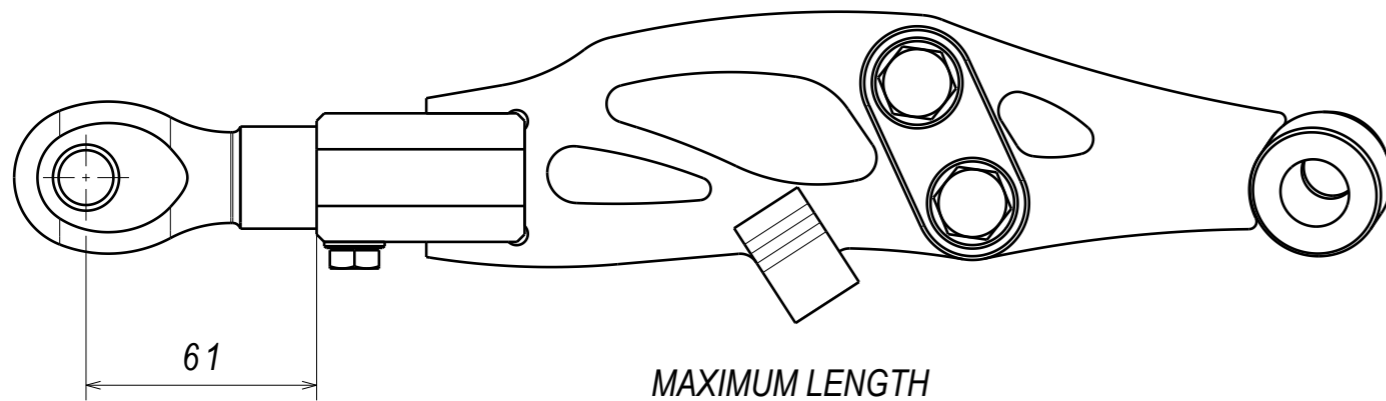


8	DIN 985-8 M12x1.75-10 NYLON LOCKING NUT 10.9 GRADE A	2
7	ISO 4014 M12x80 BOLT STEEL GRADE A HEXAGON HEAD 10.9	2
6	ISO 4014 M8x35 BOLT STEEL GRADE A HEXAGON HEAD 10.9	1
5	ISO 7089 12x24 STEEL WASHER GRADE A PLAIN ZN HOT	4
4	ISO 7089 8x16 STEEL WASHER GRADE A PLAIN ZN HOT	1
3	R32 GT-R LATERAL LINK SPACER	1
2	R32 GT-R FRONT LATERAL LINK ROD EYE	1
1	R32 GT-R LATERAL LINK WELDING ASM R/H	1
PC NO	COMPONENT NAME	QTY

# R32R-FLCA



OEM LENGTH



MAXIMUM LENGTH

