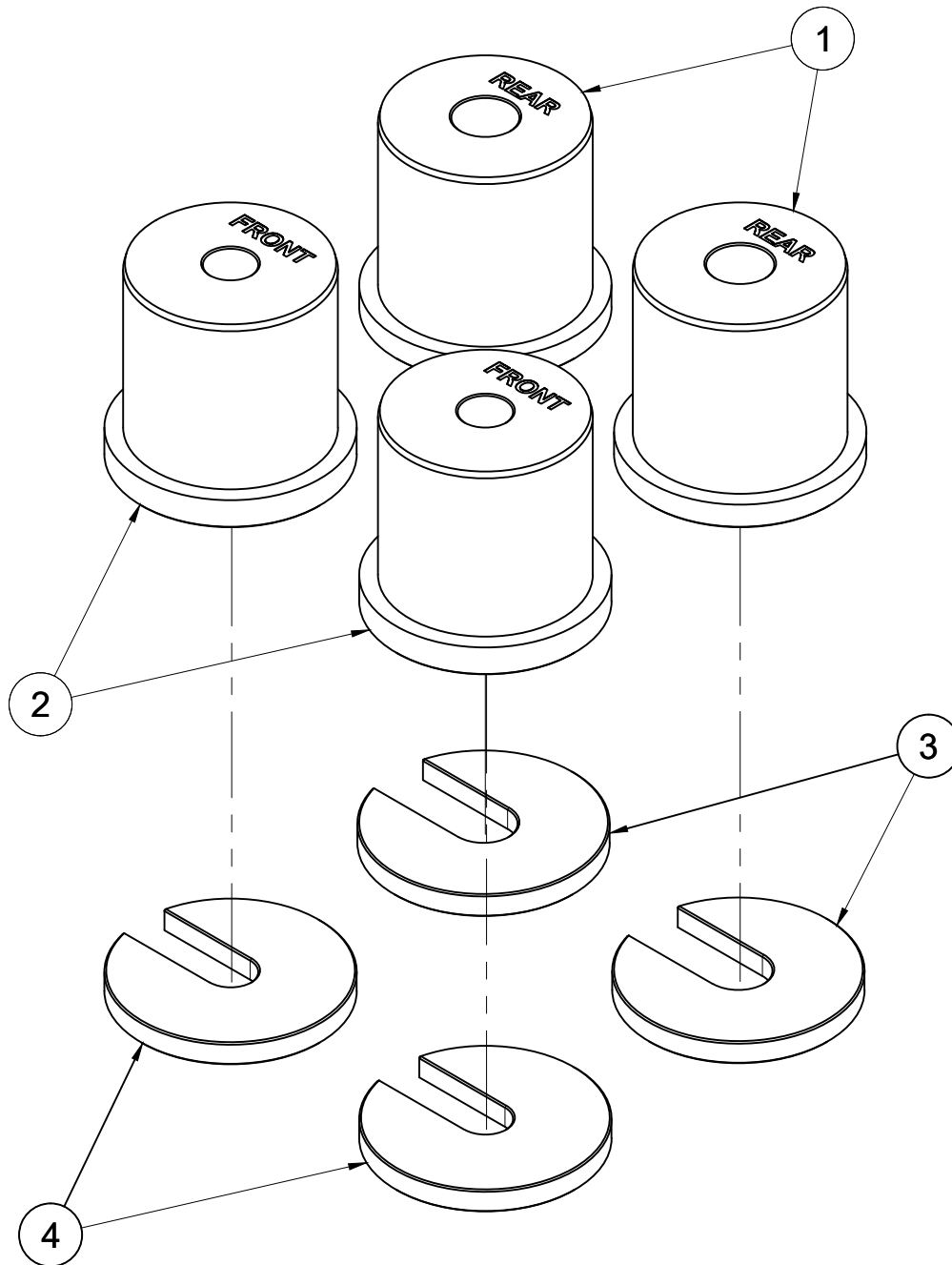


# GT86-RISR

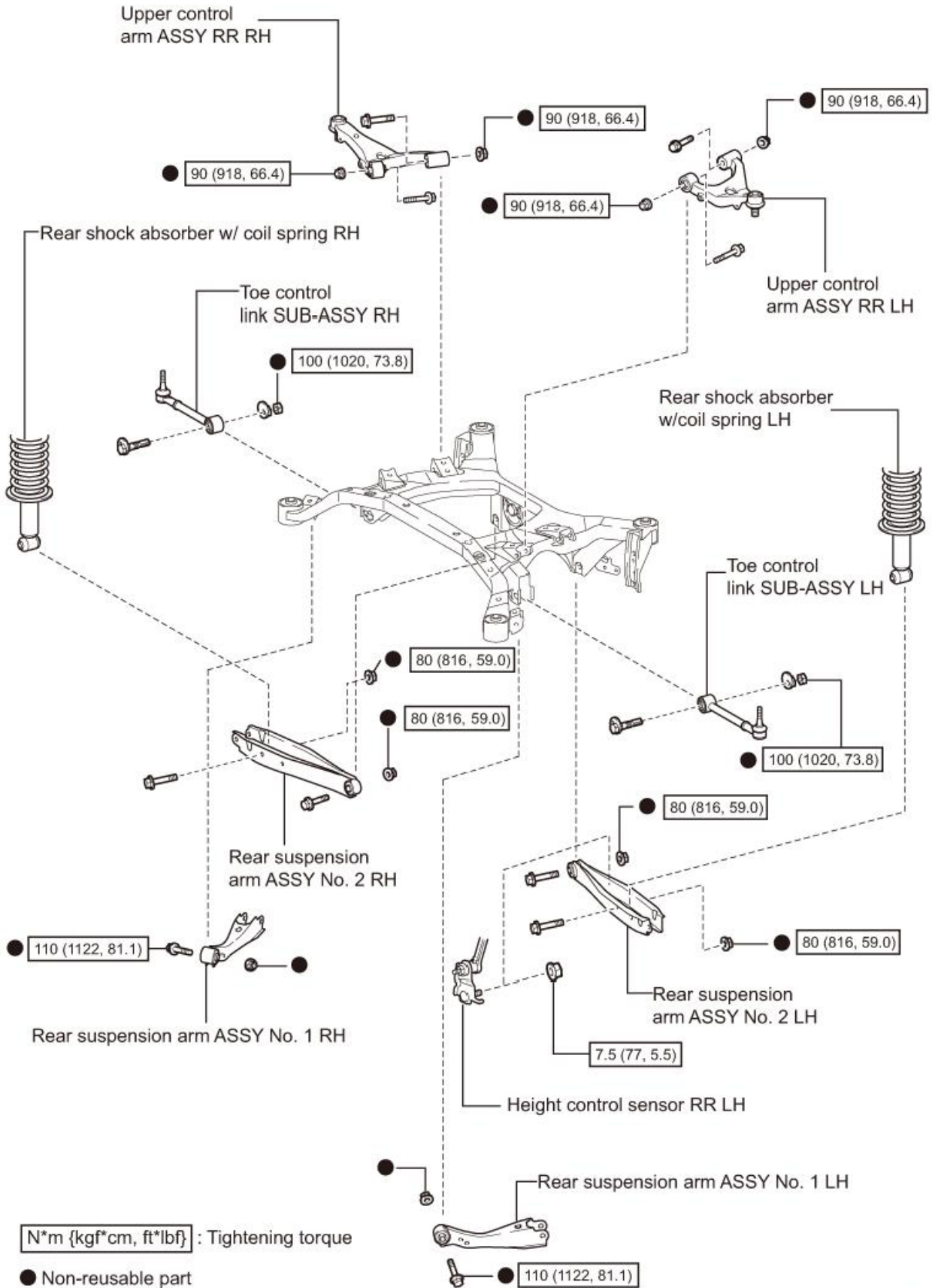


**DIAGRAM A**

4	FRONT SOLID BUSH SPACER	2
3	REAR SOLID BUSH SPACER	2
2	REAR SUBFRAME FRONT SOLID BUSH	2
1	REAR SUBFRAME REAR SOLID BUSH	2
<b>ITEM</b>	<b>DESCRIPTION</b>	<b>QTY</b>
<b>PARTS LIST</b>		

# GT86-RISR

1. JACK UP THE VEHICLE AND REMOVE THE REAR WHEELS.
2. REMOVE ALL OF THE INBOARD REAR SUSPENSION ARMS FROM THE SUBFRAME USING DIAGRAM B.

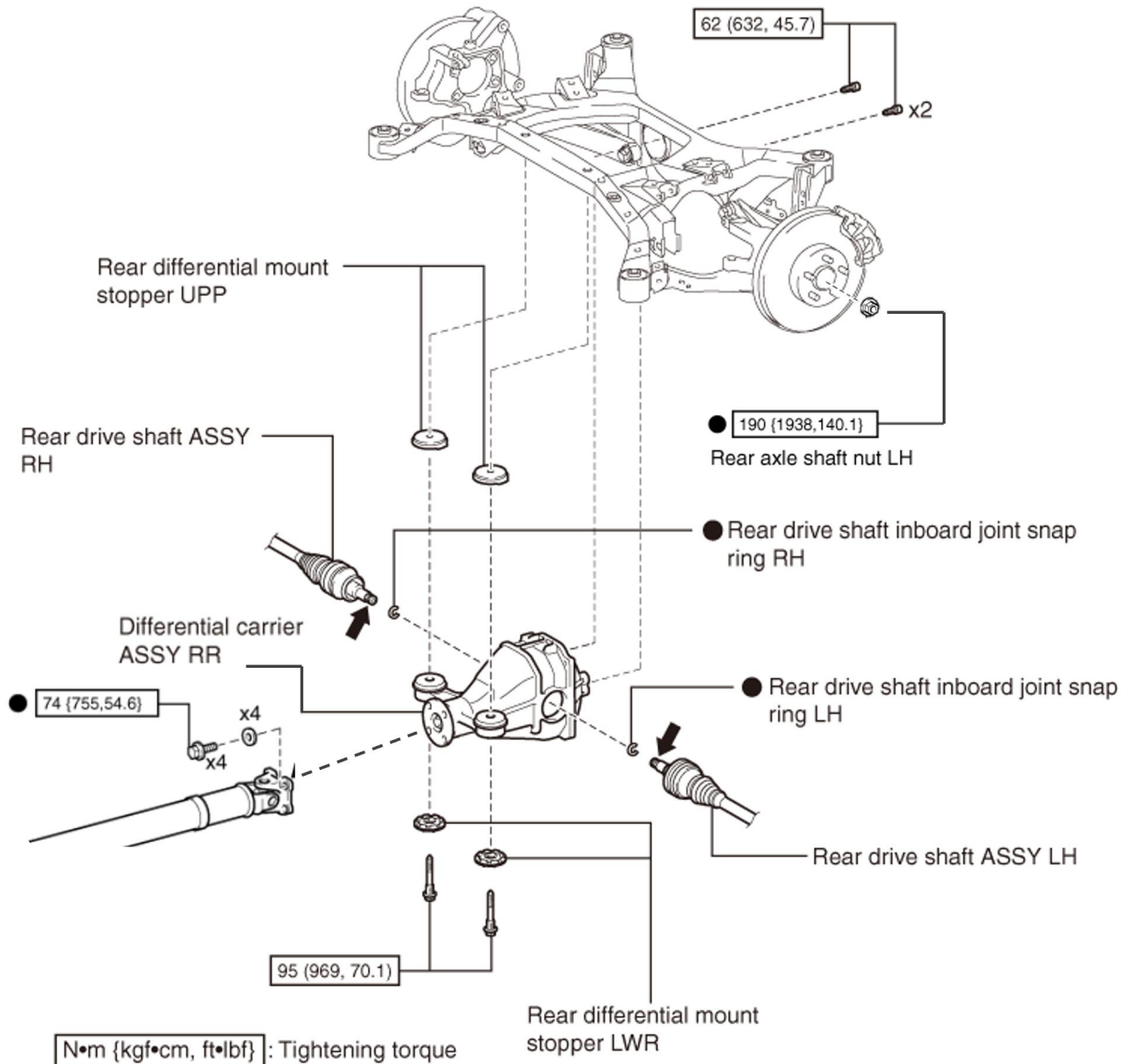


RS-10022

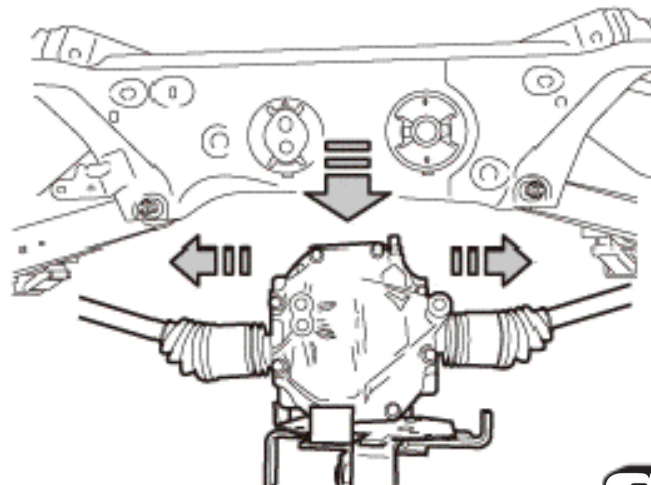
DIAGRAM B

# GT86-RISR

3. UNDO THE PROPULSION SHAFT BOLTS AND THE DIFF MOUNTS AND LOWER DOWN THE DIFFERENTIAL AS SHOWN IN DIAGRAMS C AND D.



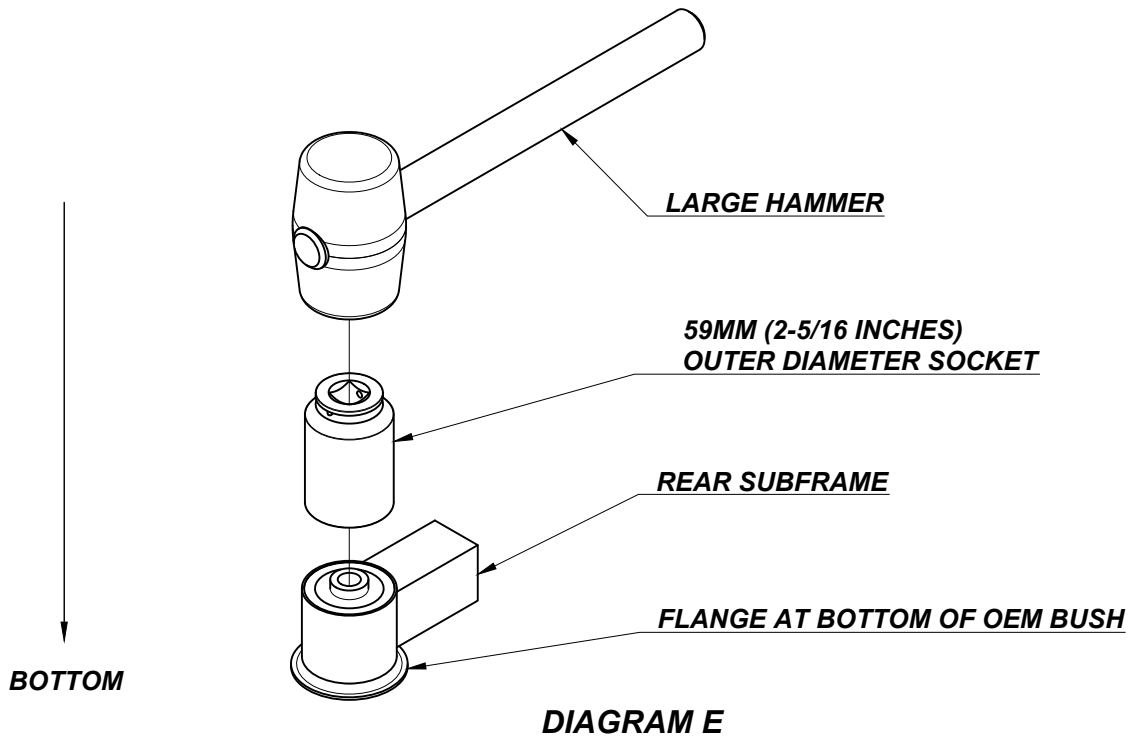
**DIAGRAM C**



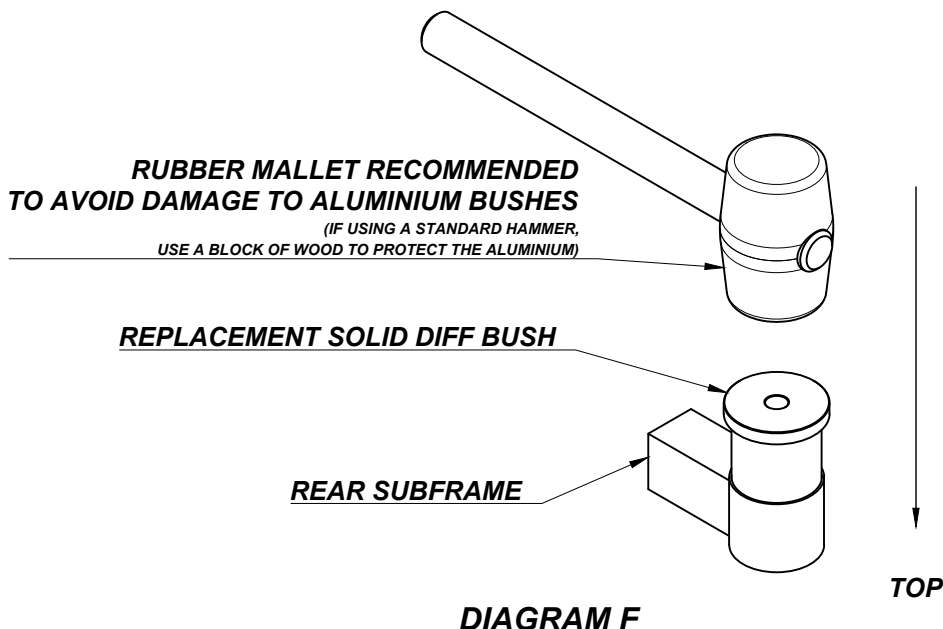
**DIAGRAM D**

# GT86-RISR

4. REMOVE THE SUBFRAME FRONT SUPPORT BRACKET BOLTS.
5. UNDO THE SUBFRAME BOLTS AND LOWER OUT OF THE VEHICLE.
6. USE A SHARP KNIFE OR RAZOR TO CUT AWAY THE RUBBER SECTIONS AT THE TOP OF THE OEM BUSHES. (THESE WILL DAMPEN THE FORCE OF THE HAMMER STRIKES).
7. FIND A SUITABLE DIE FOR STRIKING THE OUTER RACE OF THE BUSH. A LARGE SOCKET WITH 59MM (2-5/16 INCHES) OUTER DIAMETER IS IDEAL.
8. USE THE DIE TO HAMMER THE OEM BUSHES DOWNWARDS AND OUT OF THE SUBFRAME. (ALTERNATIVELY, THE BUSHES COULD ALSO BE DRILLED AND CUT FOR REMOVAL).



9. ONCE ALL THE BUSHES HAVE BEEN REMOVED, CLEAR THE SUBFRAME FROM ANY DEBRIS AND GREASE THE INNER BUSHING SURFACES TO AID WITH INSTALLATION.
10. FLIP THE SUBFRAME OVER AND USE A RUBBER Mallet TO INSTALL THE SOLID SUBFRAME BUSHES.

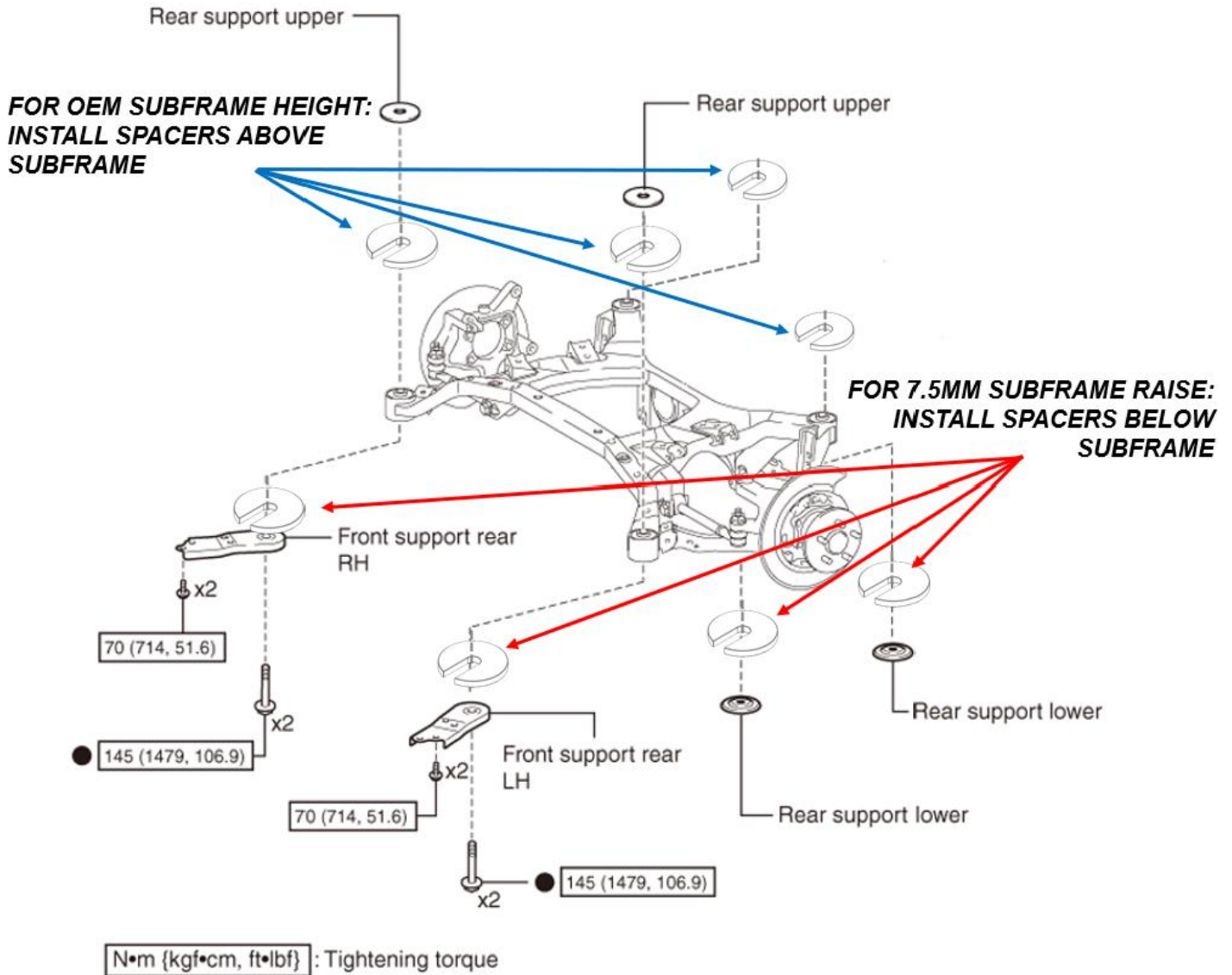


# GT86-RISR

11. REINSTALL THE SUBFRAME INTO THE VEHICLE USING THE DESIRED SPACER CONFIGURATION AND TORQUE TO THE OEM SPECS PROVIDED IN DIAGRAM G.

**OEM REAR SUBFRAME HEIGHT:** USE THE SPACERS ABOVE THE SUBFRAME AS SHOWN IN DIAGRAM G.

**7.5MM RAISED SUBFRAME HEIGHT:** USE THE SPACERS BELOW THE SUBFRAME AS SHOWN IN DIAGRAM G.



**DIAGRAM G**

12. REINSTALL THE DIFFERENTIAL USING THE OEM TORQUE SPECS PROVIDED IN DIAGRAM C.
13. REINSTALL THE REAR SUSPENSION ARMS TO THE OEM TORQUE SPECS SHOWN IN DIAGRAM B.

**\*\*NOTE\*\*** YOUR CAR WILL REQUIRE AN ALIGNMENT FOLLOWING THE RE-INSTALLATION OF THE REAR SUSPENSION ARMS.

14. FIT THE REAR WHEELS AND LOWER THE VEHICLE.