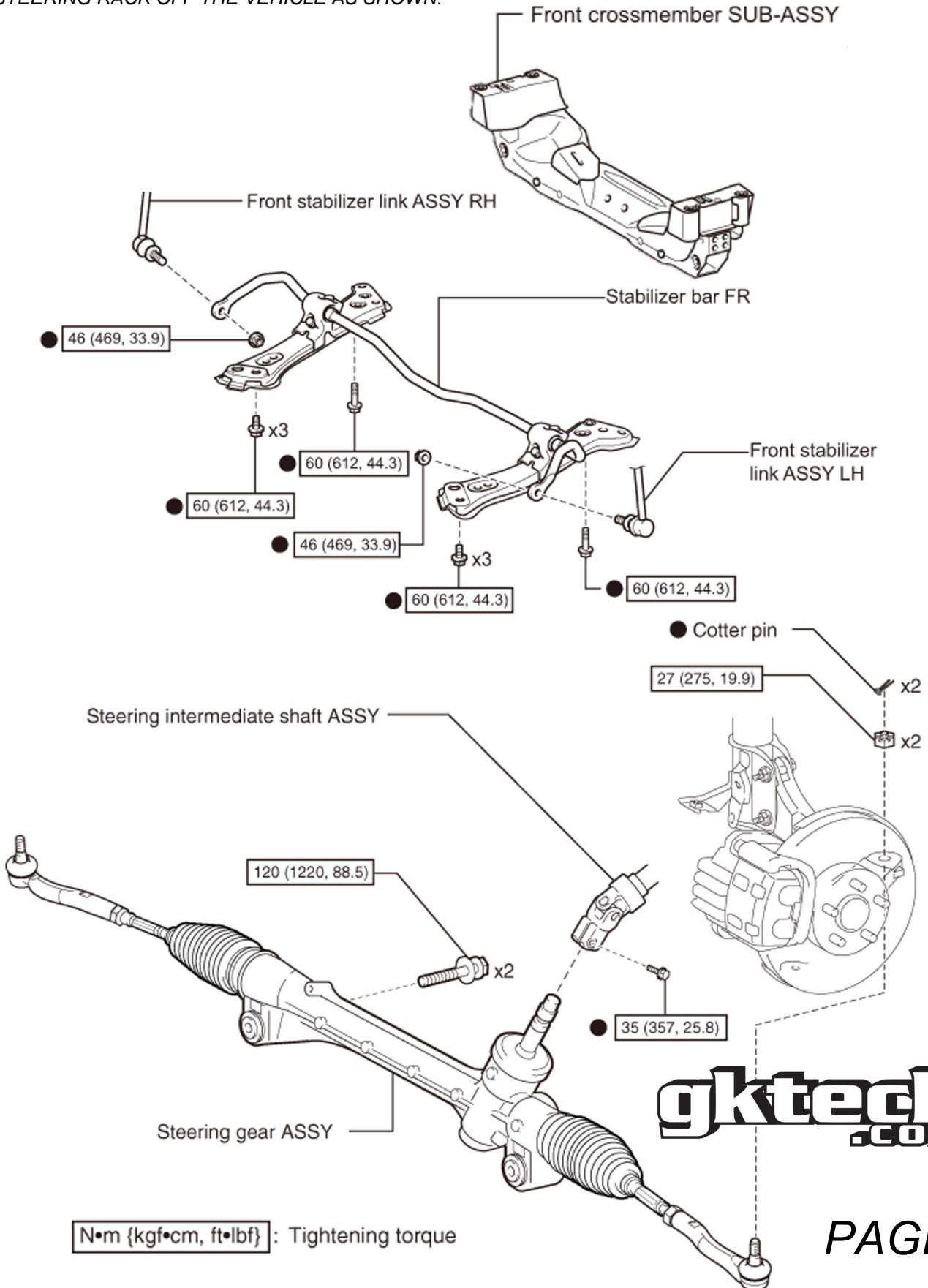


# GT86-OFFX

## ACCESSING FRONT SUBFRAME

1. LIFT UP FRONT OF VEHICLE AND REMOVE THE FRONT WHEELS.
2. DISCONNECT THE FRONT STABILISER BAR LINKS.
3. REMOVE THE FASTENERS WHICH RETAIN THE SUBFRAME BRACKETS AND REMOVE THEM ALONG WITH THE STABILISER BAR.
4. REMOVE OUTER TIE RODS, STEERING INTERMEDIATE SHAFT AND RACK FASTENERS, THEN LOWER THE STEERING RACK OFF THE VEHICLE AS SHOWN.



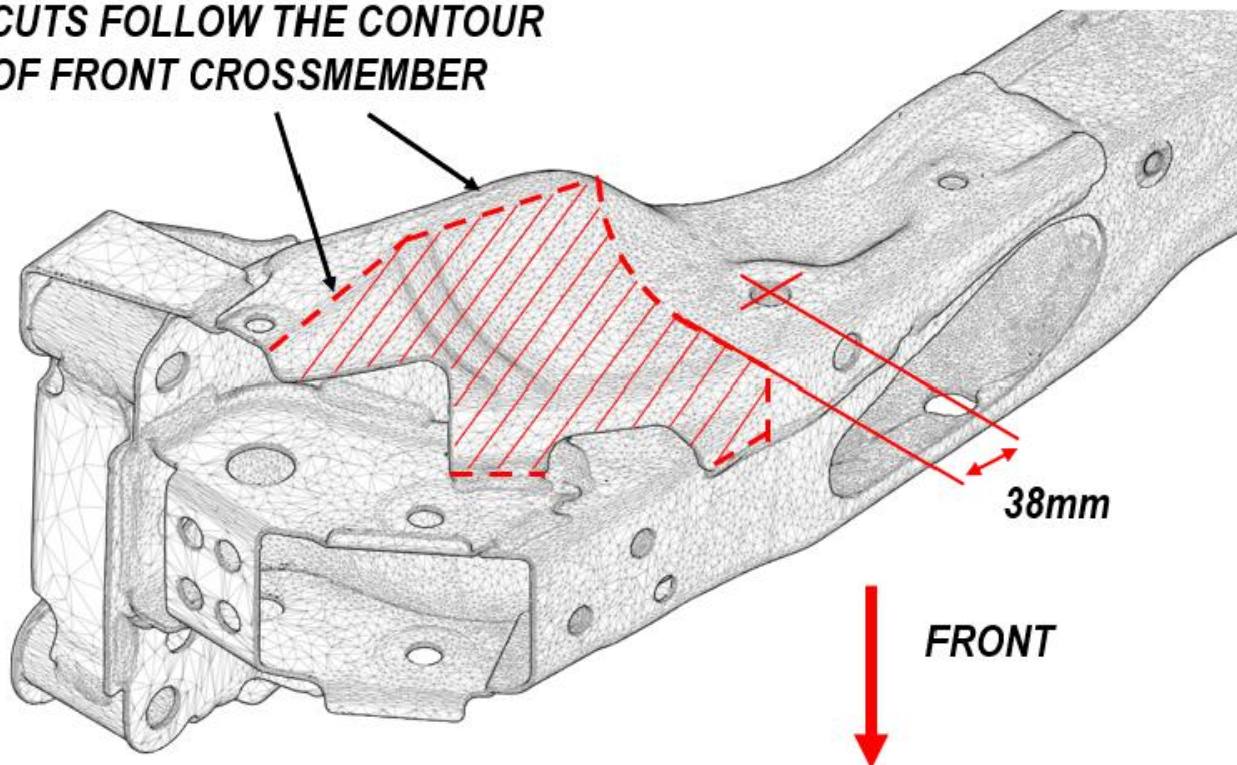
N•m {kgf•cm, ft•lbf} : Tightening torque

# GT86-OFFX

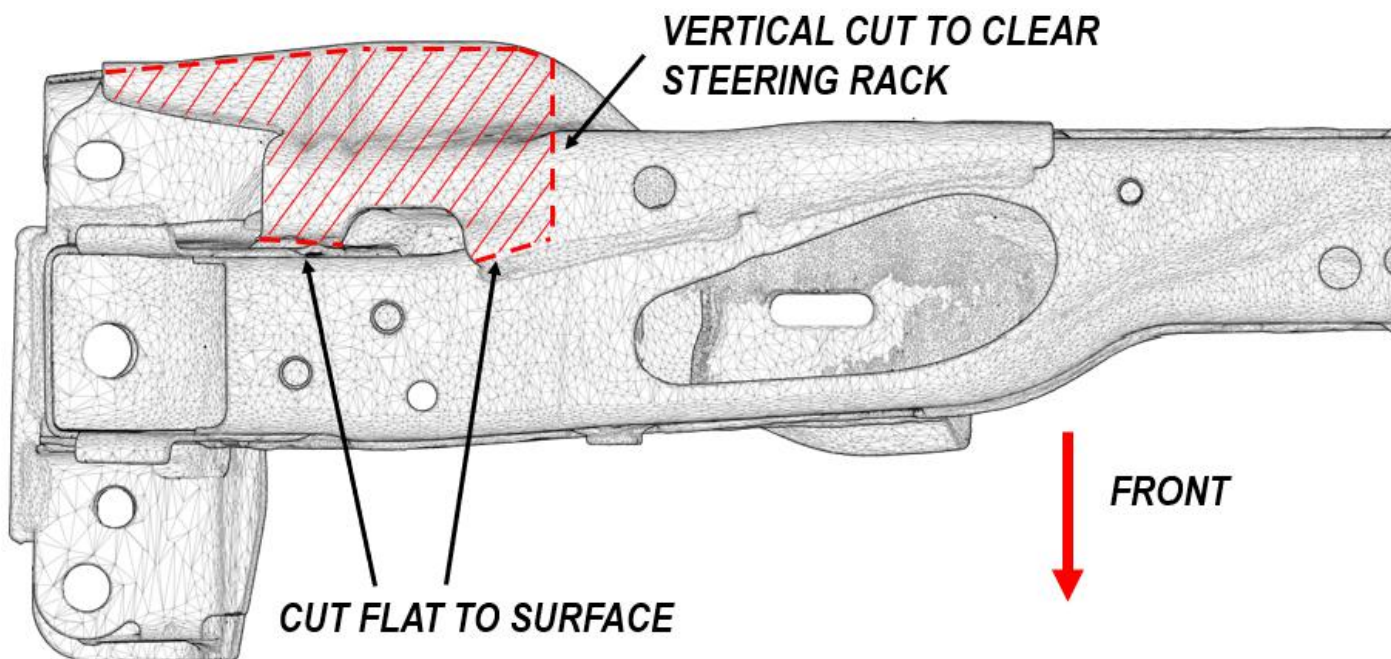
## CUTTING FRONT SUBFRAME FOR CLEARANCE

5. CUT THE FRONT SUBFRAME ALONG THE DOTTED LINES PICTURED BELOW. THIS WILL REMOVE A SECTION OF THE SUBFRAME AND PROVIDE CLEARANCE FOR THE OFFSET RACK SPACER.

**CUTS FOLLOW THE CONTOUR OF FRONT CROSSMEMBER**



6. ONCE THE CUT IS COMPLETE, ENSURE THAT THE CUT IS CLOSE ENOUGH TO THE SUBFRAME MOUNTING HOLE. THE IDEAL DISTANCE IS 38MM AND LARGER DISTANCES MAY CAUSE THE OFFSET SPACER TO HIT THE SUBFRAME.

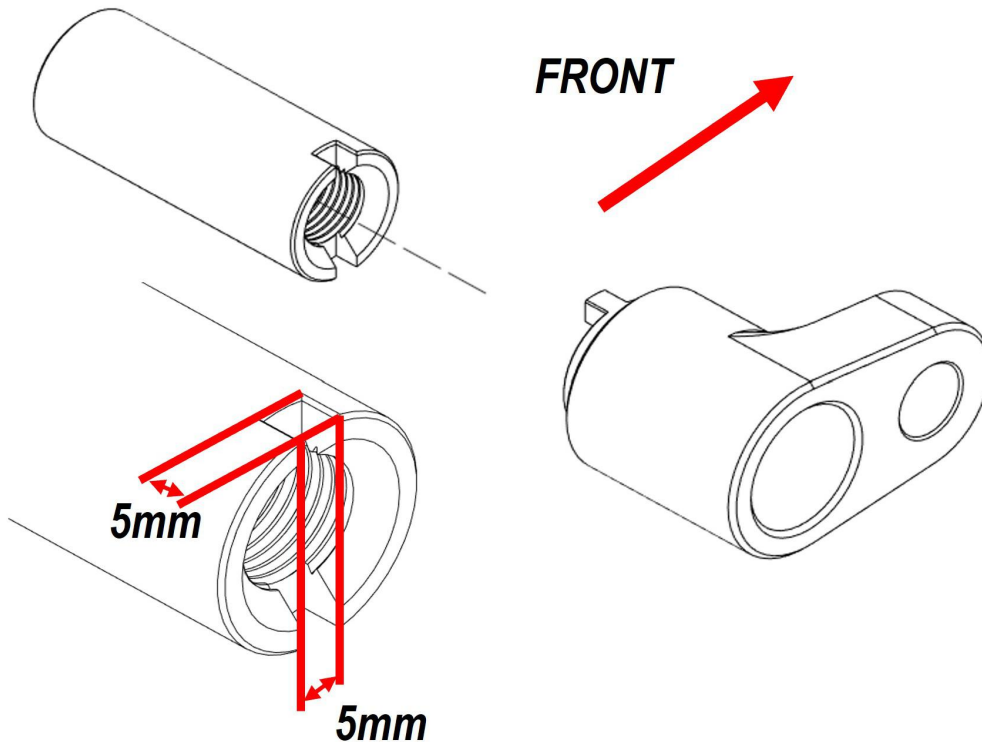


7. IF YOU INTEND TO WELD IN OUR FRONT SUBFRAME REINFORCEMENT, REFER TO REINFORCEMENT ASSEMBLY GUIDE.

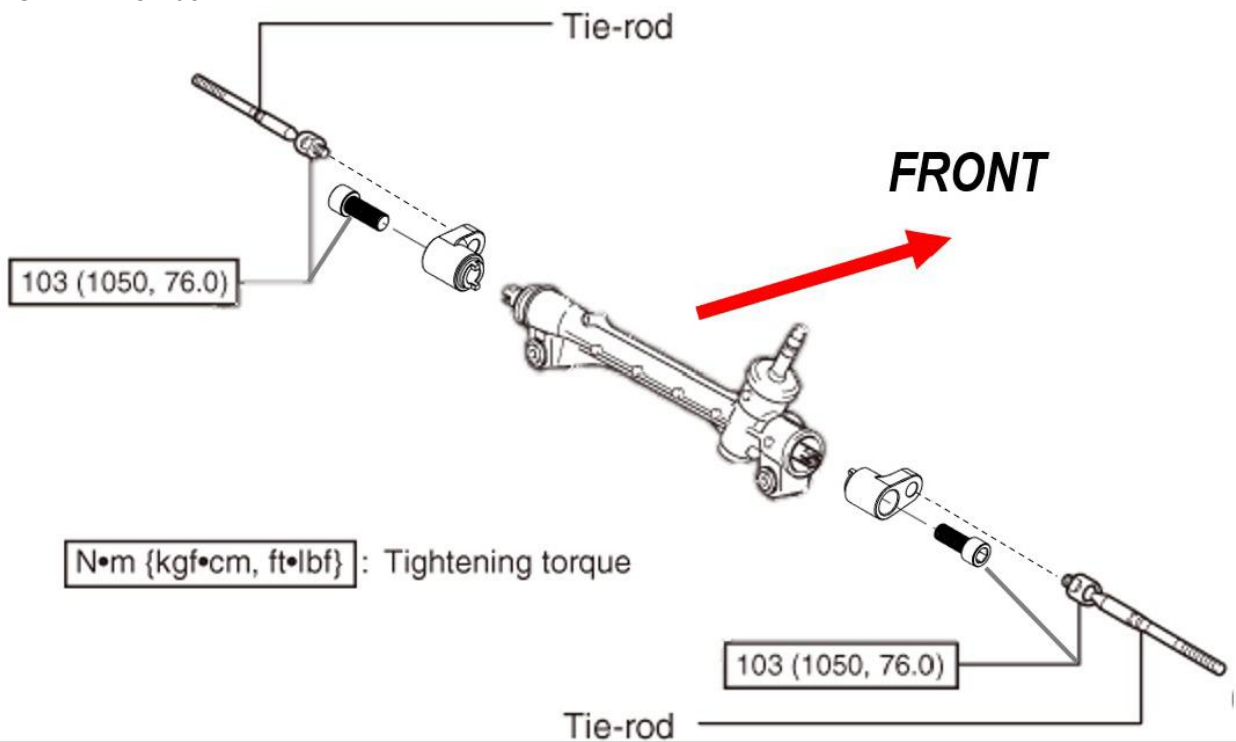
# GT86-OFFX

## INSTALLING OFFSET RACK SPACERS

8. WHILE THE RACK IS REMOVED FROM THE VEHICLE, CUT A MATING NOTCH INTO THE RACK AT BOTH THE LEFT AND RIGHT ENDS. THIS NOTCH MUST BE VERTICAL, 5MM WIDE AND 5MM DEEP.



9. INSTALL THE OFFSET RACK SPACER WITH THE OFFSET TO THE FRONT OF THE VEHICLE. APPLY LOCTITE 242 (BLUE) TO THE THREADS OF THE RACK SPACER AND THE INNER TIE ROD AND THEN TIGHTEN TO 103Nm.



10. REINSTALL THE RACK ON TO THE VEHICLE USING THE TORQUE SPECIFICATIONS SUPPLIED ON PAGE 1.
11. STEER THE RACK TO FULL LOCK LEFT AND RIGHT AND ENSURE THAT THE FRONT SUBFRAME DOES NOT TOUCH THE OFFSET RACK SPACER OR INNER TIE ROD.
12. REINSTALL THE REMAINING VEHICLE COMPONENTS USING THE TORQUE SPECIFICATIONS ON PAGE 1 AND LOWER DOWN TO GROUND.