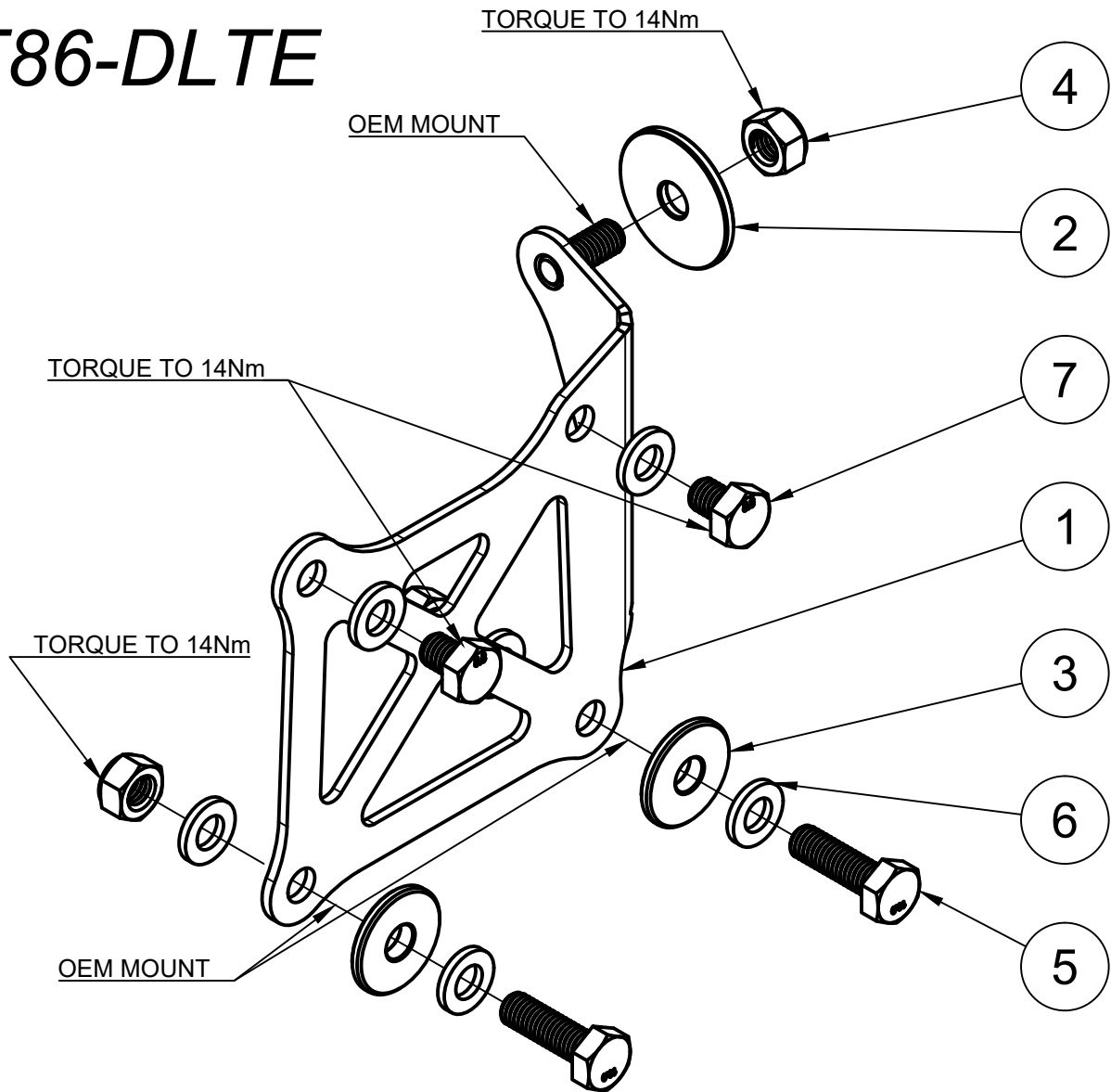


GT86-DLTE



1. UNDO ELECTRONIC CONNECTORS, BRAKE LINES AND MOUNTS TO REMOVE THE OEM ABS ASSEMBLY.
2. MOUNT THE ADAPTER BRACKET TO THE OEM MOUNTING LOCATIONS USING THE SUPPLIER HARDWARE.
3. REFER TO ABS DELETE MANIFOLD ASSEMBLY GUIDE FOR REMAINING MOUNTING STEPS. USE THE SHORT M6 BOLTS AND WASHERS TO MOUNT MANIFOLD TO ADAPTER BRACKET.

7	M6 x 8 BOLT	1
6	M6 WASHER	2
5	M6 x 20 BOLT	1
4	M6 NYLOC NUT	2
3	M6 STEPPED WASHER	2
2	OVERSIZE M6 WASHER	3
1	GT86 ADAPTER BRACKET	6
ITEM:	DESCRIPTION:	QTY:
PARTS LIST:		

GT86-DLTE

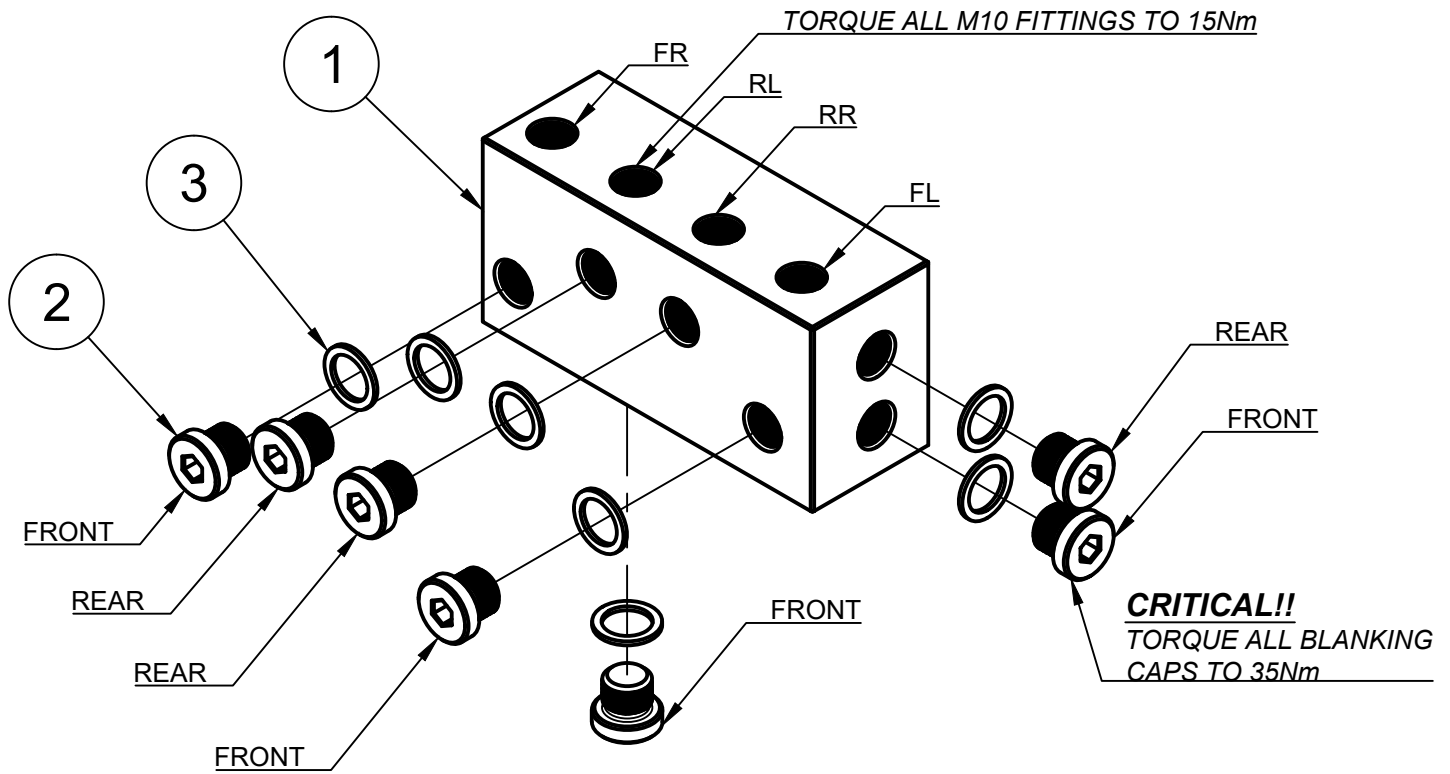


DIAGRAM A

1. TORQUE ALL BLANKING CAPS ON TO THE MANIFOLD BEFORE INSTALLING IN THE VEHICLE.

BLANKING CAPS CAN BE REPLACED WITH M10 x 1 BRAKE PRESSURE SENSORS AS DESIRED. SEE DIAGRAM A FOR DETAILS AS TO WHICH BLANKING CAPS SERVICE THE FRONT OR REAR LINES.

2. INSTALL ABS DELETE MANIFOLD INTO VEHICLE USING PROVIDED MOUNTING BRACKET.
3. ATTACH AND TIGHTEN EACH OF THE BRAKE LINES TO THEIR RESPECTIVE INLET / OUTLET.
4. BLEED VEHICLE BRAKES. APPLY MAXIMUM BRAKE PRESSURE AND CHECK SYSTEM FOR LEAKS, TIGHTEN ACCORDINGLY.

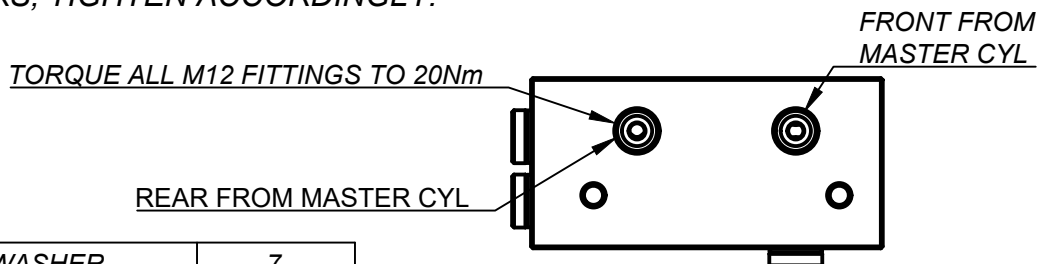


DIAGRAM B

3	M10 CRUSH WASHER	7
2	M10 x 1 BLANKING CAP	7
1	TYPE-A ABS DELETE MANIFOLD	1
ITEM:	DESCRIPTION:	QTY:
PARTS LIST:		