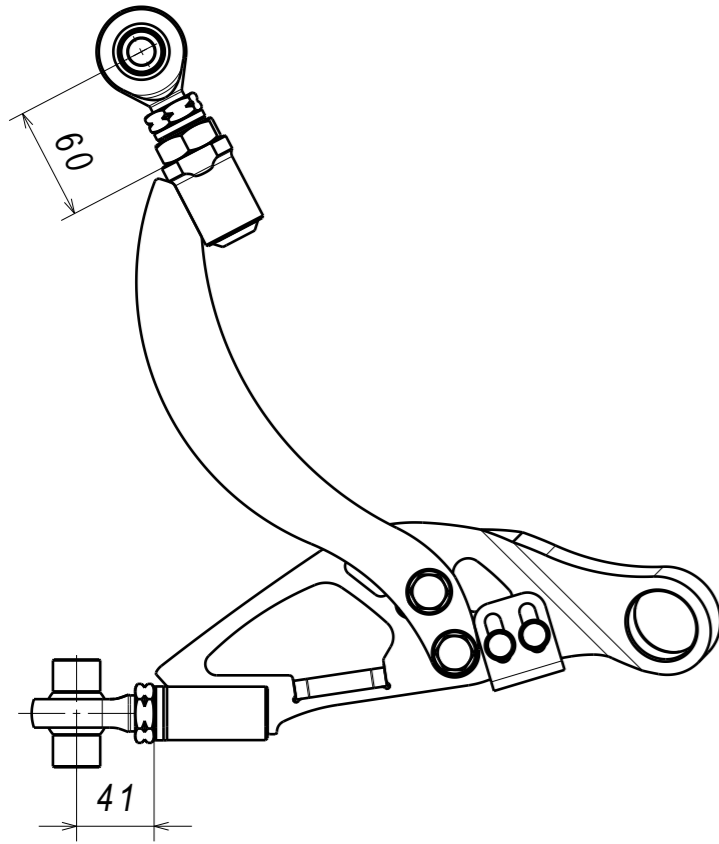
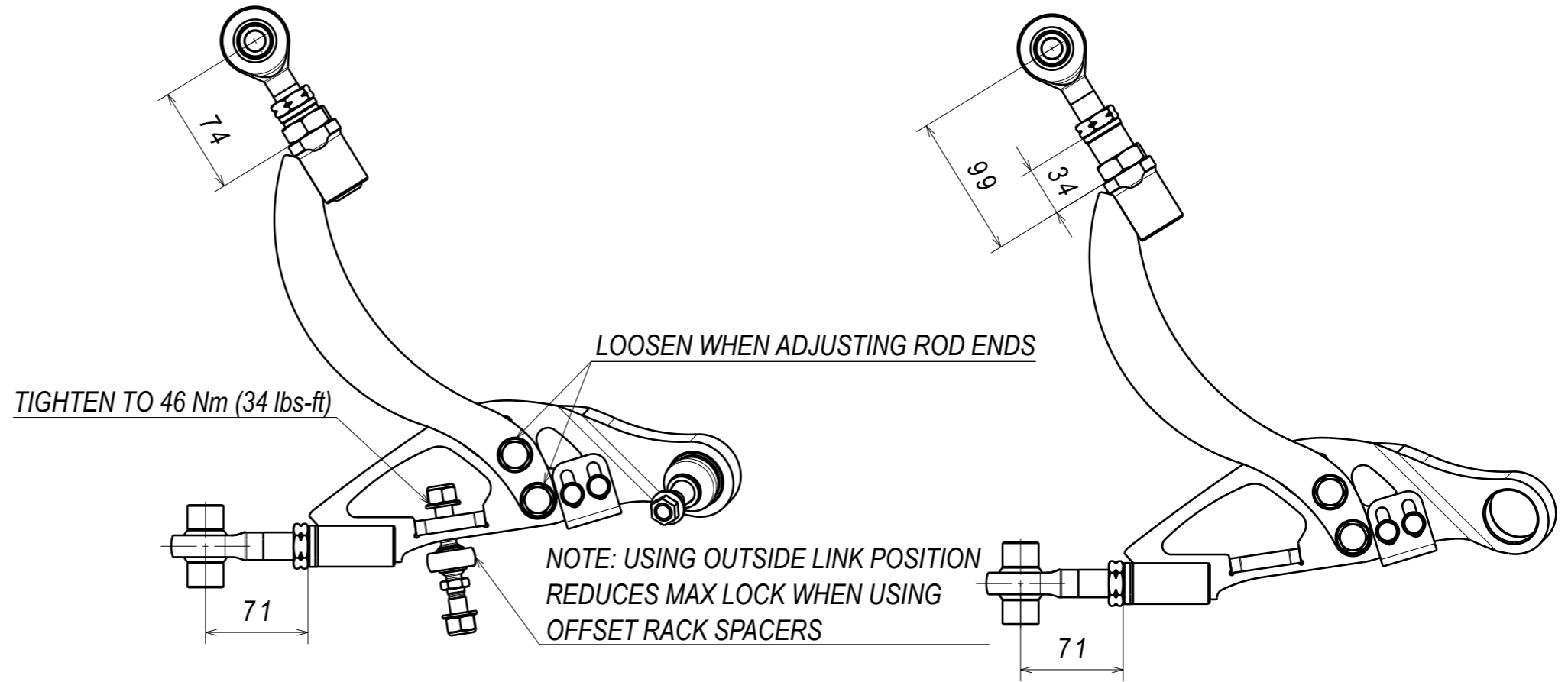


GT86-0LCA



ADJUSTMENT - MIN LENGTH (OEM)



ADJUSTMENT - MAX LENGTH (OEM +30mm)

ADJUSTMENT - MAX LENGTH + MAX CASTER ADJUSTMENT

16	PCML12T BOOT REV2	2
15	GT86 FRONT BOTTOM A-ARM BALL JOINT	1
14	PCML12T-ES ROD END	2
13	ISO 8765 M14x1.5x100	1
12	ISO 4014 M12x55	2
11	DIN 985-8 M12x1.75	2
10	ISO 7089 12x24	4
9	SPACER PCML12T 14ID 72W HIGH MISALIGNMENT	1
8	SPACER PCML12T 14ID 42W HIGH MISALIGNMENT	1
7	SPACER PCML12T 12ID 57W	2
6	FLCA M27x2 NUT	1
5	VERNIER SLEEVE - M27x 3/4 REAR DRIVE	1
4	NUT 3/4-16 UNF 3B L/H	2
3	TENSION ROD WELDING ASM S14 R/H	1
2	GT86 - FRONT BOTTOM A-ARM LOCK STOP ASM R/H	1
1	GT86 FRONT LATERAL LINK STD WELD ASM R/H	1
PC NO	COMPONENT NAME	QTY

