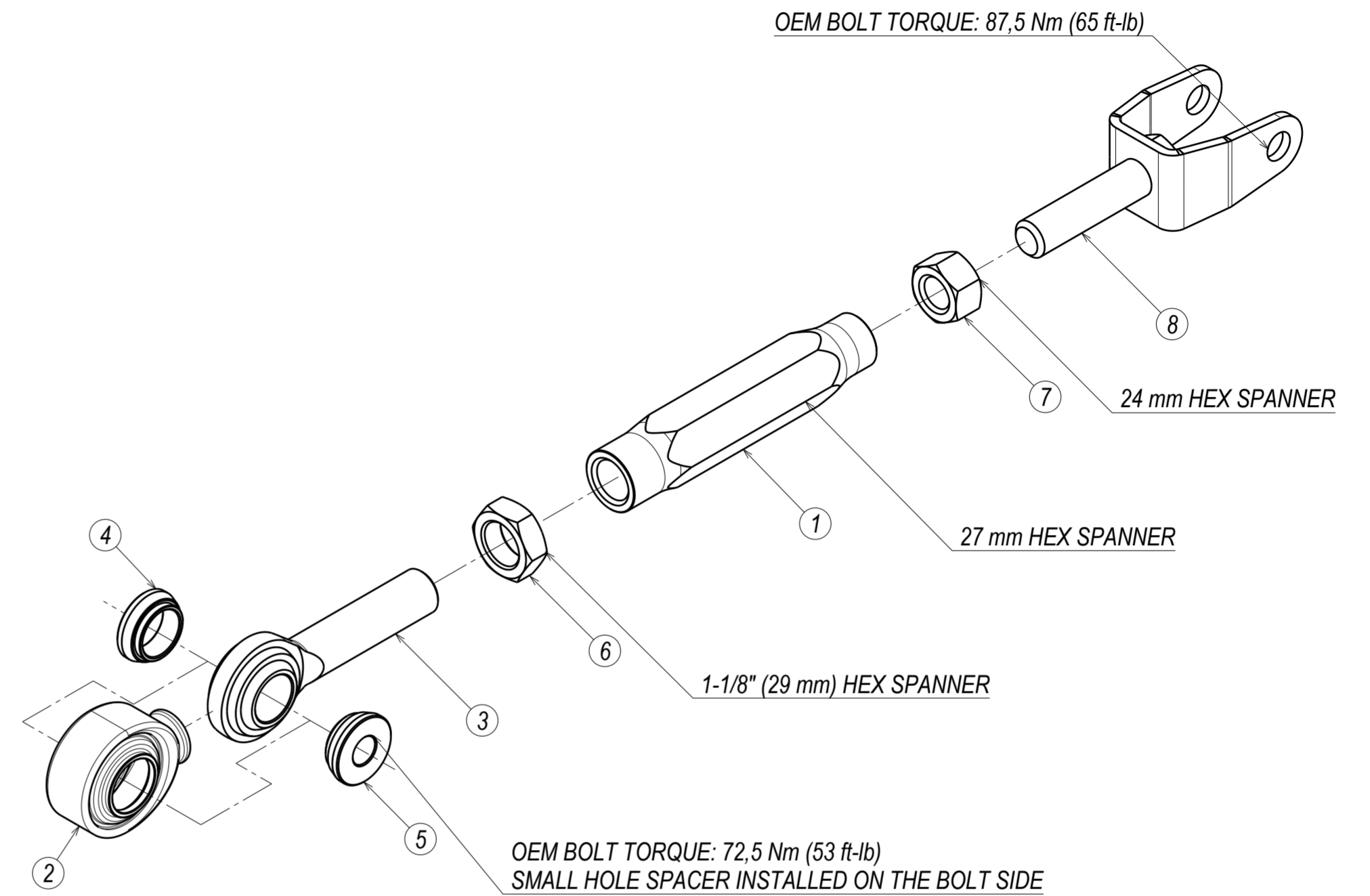
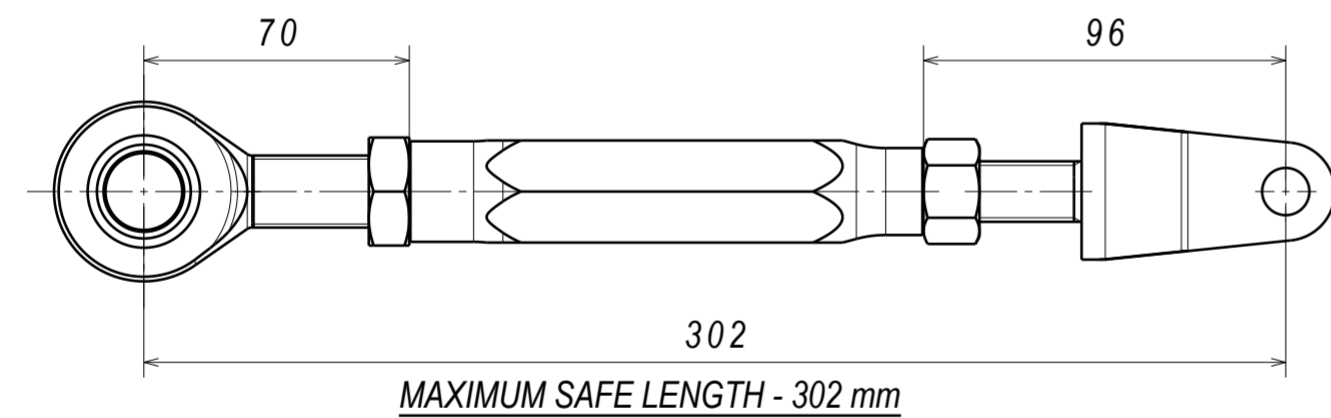
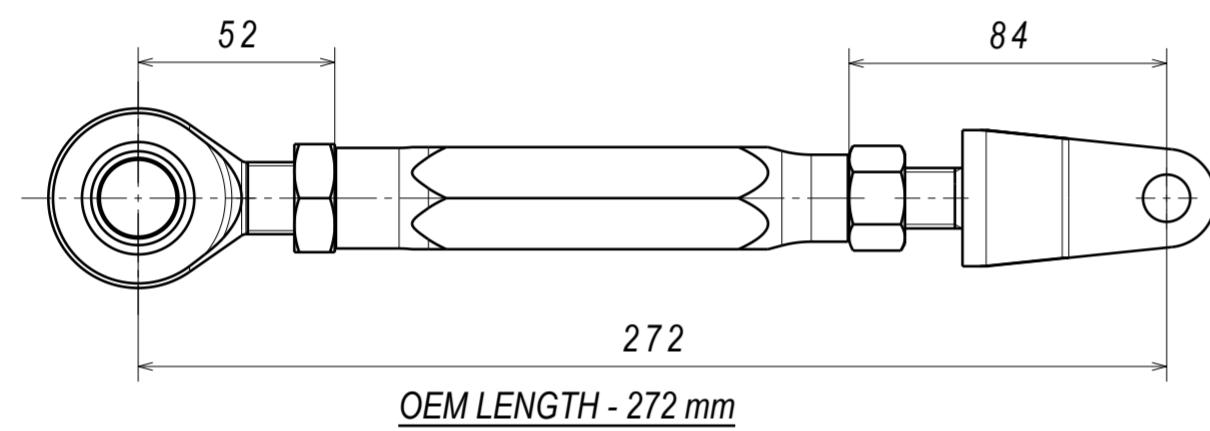
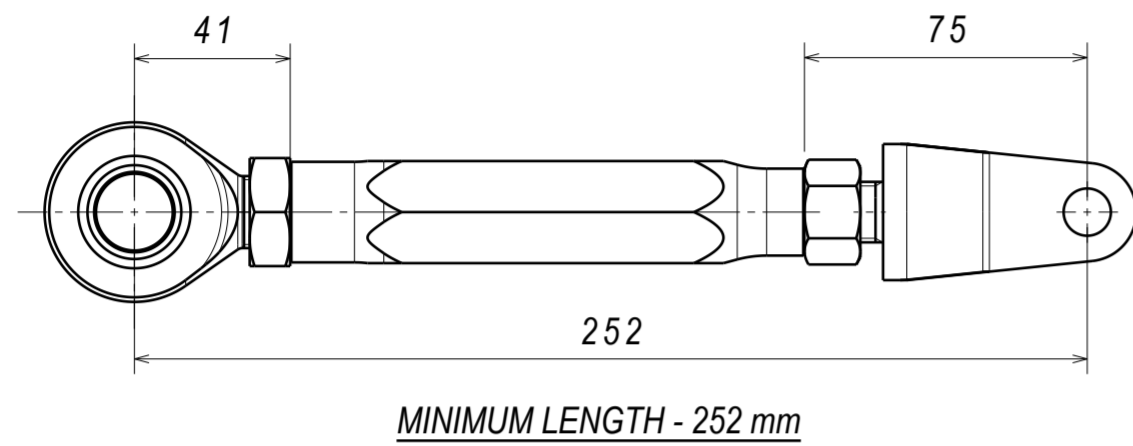


# 370Z-TRTN



| PC NO | COMPONENT NAME                                 | QTY |
|-------|--|-----|
| 8     | 370Z CAMBER LINK CLEVIS WELDING ASM            | 1   |
| 7     | NUT M16  | 1   |
| 6     | LH 3/4-16 ASTM A563 GRADE A ZINC STEEL JAM NUT | 1   |
| 5     | SPACER 12x42                                   | 1   |
| 4     | SPACER 20,3x42                                 | 1   |
| 3     | ROD END PCML13T-E                              | 1   |
| 2     | QA1 PCML12T BOOT REV2                          | 1   |
| 1     | 370Z TRACTION LINK BAR                         | 1   |

## CRITICAL!

CHECK FOR ROD END BEARING ALIGNMENT  
AFTER TIGHTENING THE ADJUSTING MECHANISM  
ROD END TO BE PERPENDICULAR TO THE SPACERS

