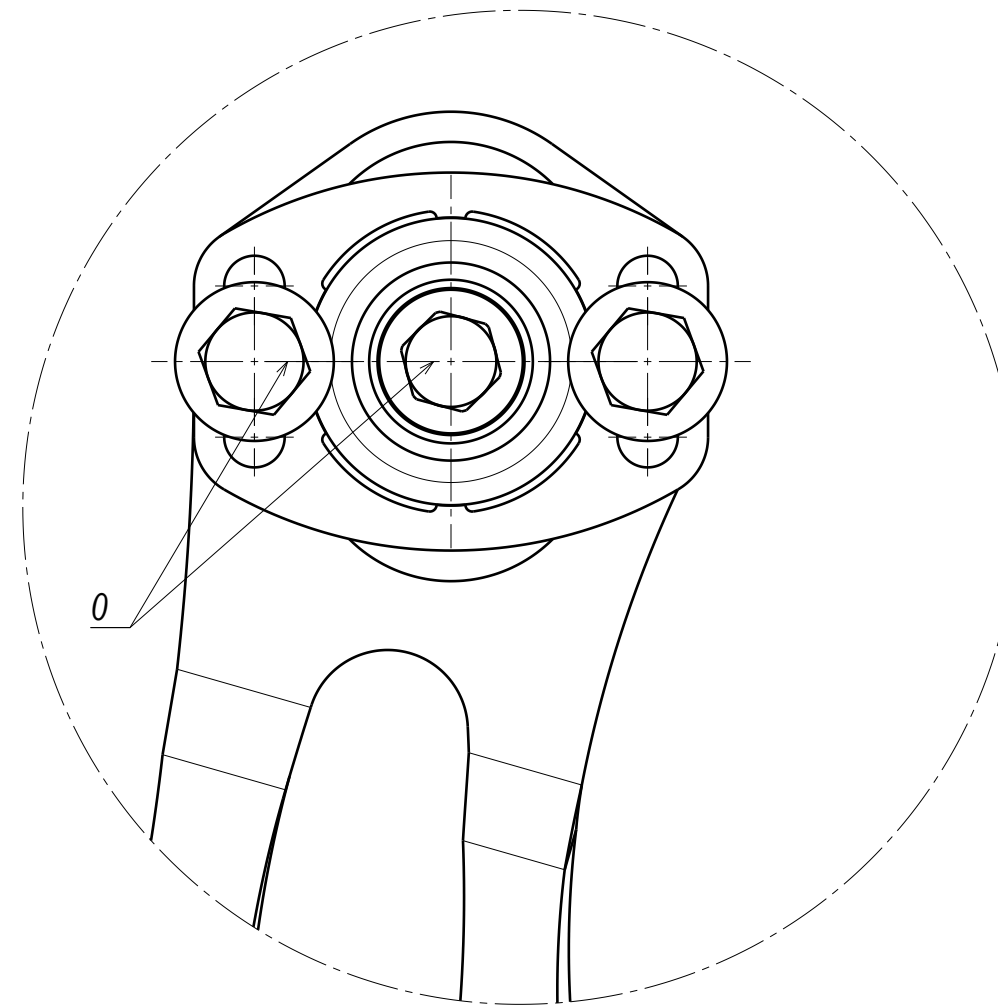
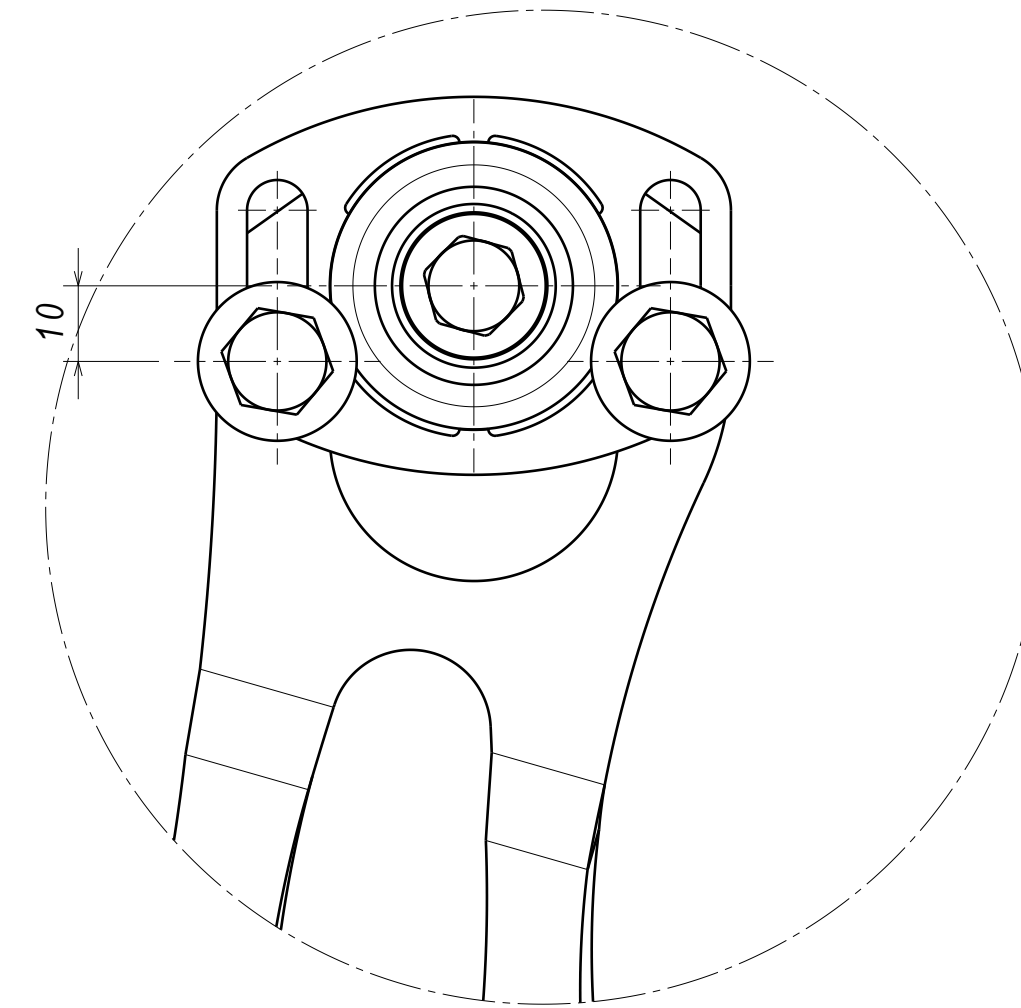


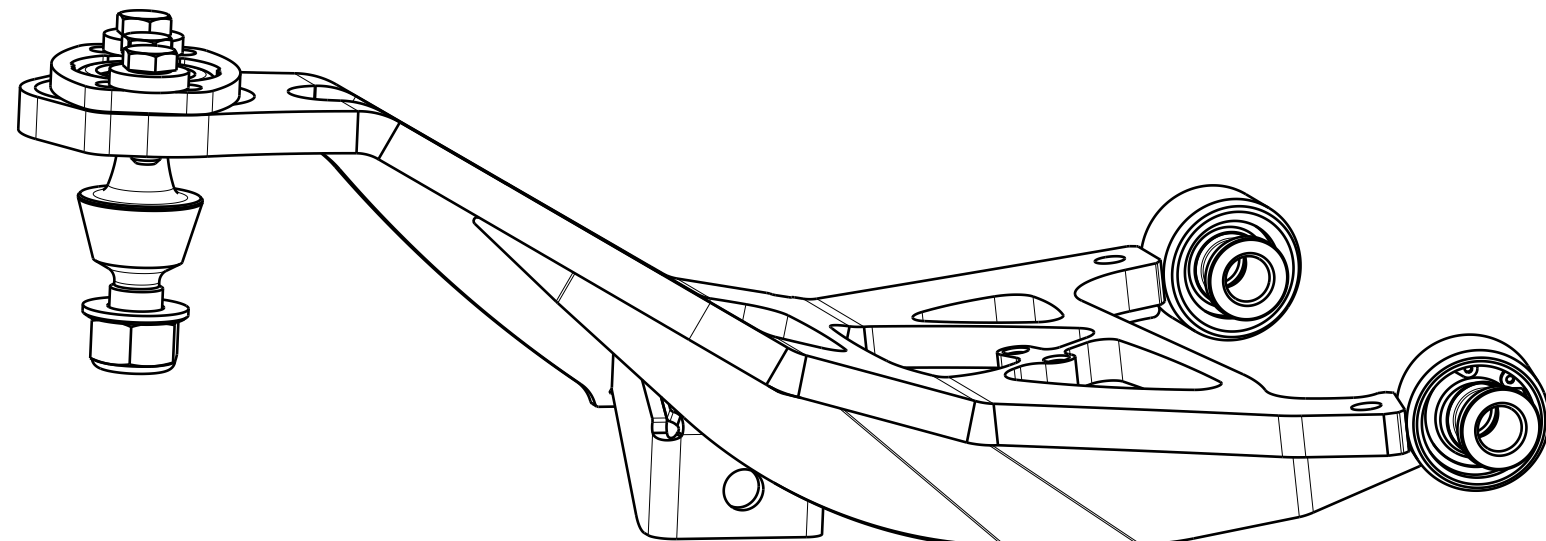
MINIMUM LENGTH



OEM LENGTH



MAXIMUM LENGTH



ADJUST HEADLIGHT LEVEL
SENSOR FOR TAB TO BE
PARALLEL TO GROUND

12 mm HEX SPANNER

APPLY MEDIUM STRENGTH THREAD LOCK (LOCTITE 243)

TIGHTEN TO 50Nm (32ft-lb)

BOLT TORQUE: 36 Nm (27 ft-lb)

ANTI-ROLL BAR END LINK
BOLT TORQUE: 55 Nm (41 ft-lb)

HEADLIGHT LEVEL SENSOR ON
THE LEFT ARM: 8 Nm (6 ft-lb)

OEM BOLT TORQUE: 72,5 Nm (53 ft-lb)

OEM BOLT TORQUE: 85 Nm (62 ft-lb)

11	ISO 4017 M8x20 HEXAGON HEAD GRADE A 10.9	2
10	DIN 7349 8x21 THICK WASHER	2
9	DIN 985-8 M14x1.5 NYLON LOCKING NUT	1
8	ISO 7089 WASHER 14x28 PLAIN GRADE A ZN HOT	1
7	RETAINING RING DIN 472 30x1.2	3
6	QA1 SPHERICAL BEARING COM10T	3
5	350Z FRONT TOP A-ARM BEARING BOLT	1
4	350Z REAR TOP A-ARM CAMBER ADJUSTER	1
3	COM10T HIGH MISALIGNMENT SPACER M12x19x50	2
2	350Z REAR TOP A-ARM TAPERED BOLT	1
1	370Z REAR TOP A-ARM WELDING ASSEMBLY R/H	1
PC NO	COMPONENT NAME	QTY

