

# 350Z-TBKT

## SUPPORTED SPRING SIZE:

2.5" INSIDE DIAMETER CLOSED & GROUND TYPE SRPINGS

\*\*CHASSIS MOUNT SPRING PERCH IS REQUIRED\*\*

## RECOMMENDED FREE LENGTH:

225mm (9") - GKTECH REAR UPRIGHT

200-225mm (8-9") - OEM REAR UPRIGHT

## RECOMMENDED SPRING RATE:

5% LESS THAN EQUIPPED FRONT SPRING FOR OEM LINKS

25% LESS THAN EQUIPPED FRONT SPRING FOR GKTECH LCA

## EXAMPLE EFFECTIVE SPRING RATE (WHEEL RATE):

SPRING RATE: 20 Kg/mm

CORNER WEIGHT, REAR LEFT: 300 Kg

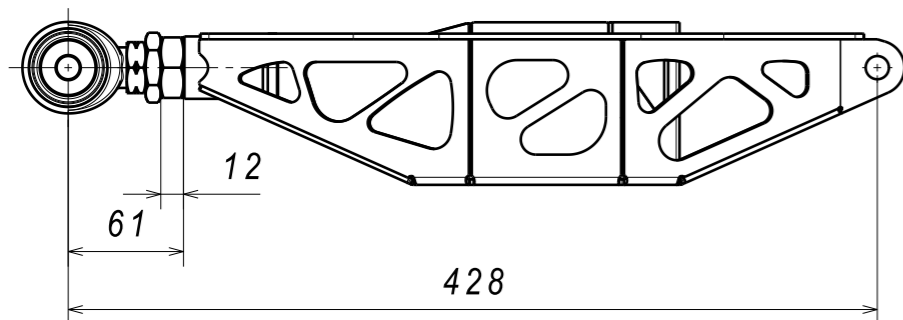
350Z REAR SPRING MOTION RATIO: 0.6 = 0.36 SQUARED

## 350Z EFFECTIVE SPRING RATE:

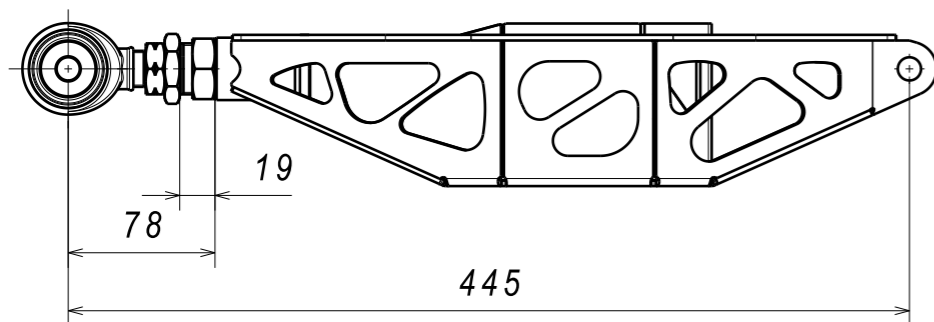
SPRING RATE x MOTION RATIO SQUARED = 20 Kg/mm x 0.36 = 7,2 Kg/mm

## COMPRESSED SPRING LENGTH:

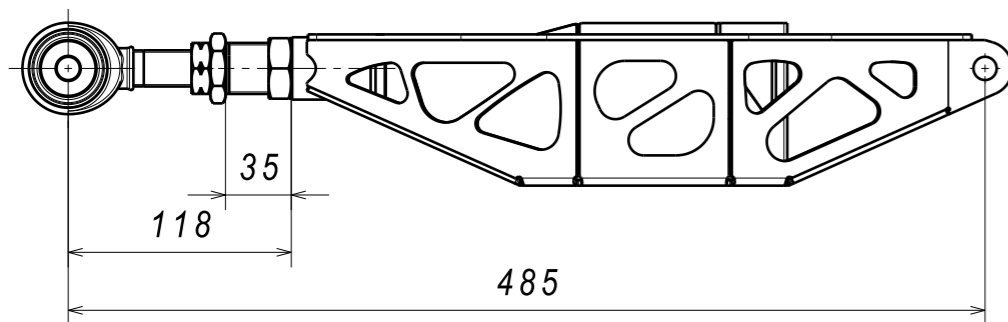
FREE LENGTH - (CORNER WEIGHT/MOTION RATIO) = 225 - (300 / 7,2) = 225 - 41,6 = 183,4 (mm)



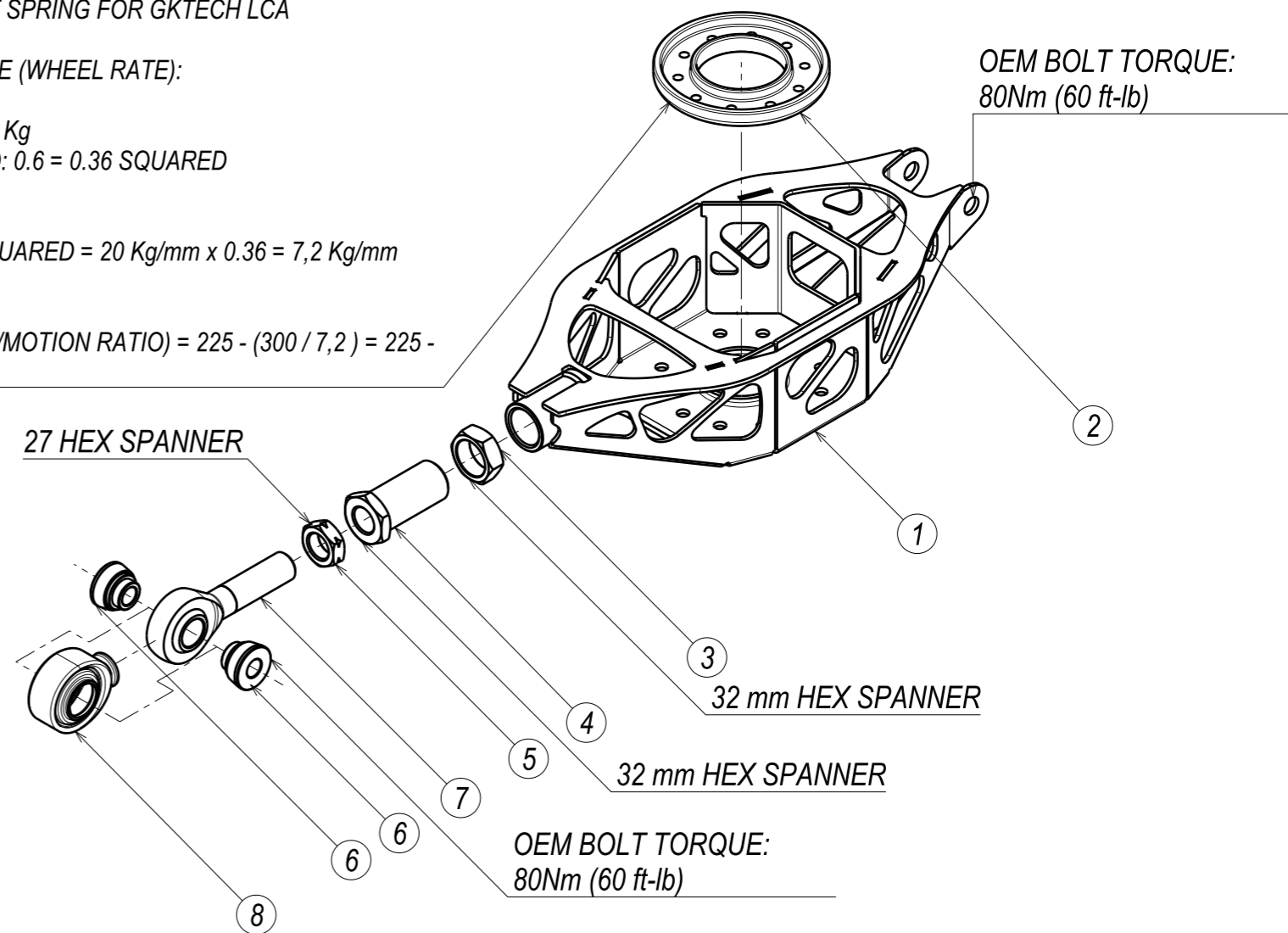
MINIMUM LENGTH: 428mm



OEM LENGTH: 445mm



MAX LENGTH: 485mm



OEM BOLT TORQUE:  
80Nm (60 ft-lb)

OEM BOLT TORQUE:  
80Nm (60 ft-lb)

8	QA1 PCML12T BOOT REV2	1
7	PCML12T-ES ROD END	1
6	SPACER M12x50	2
5	NUT 3/4-16 UNF 3B L/H	1
4	VERNIER SLEEVE M27x2 EXT 3/4-16 UNF 3A INT	1
3	FLCA M27x2 NUT	1
2	350Z REAR TOE LINK - SPRING CENTER 2.5"	1
1	350Z REAR TOE LINK - SPRING CARRIER WELD ASM	1
PC NO	COMPONENT NAME	QTY

