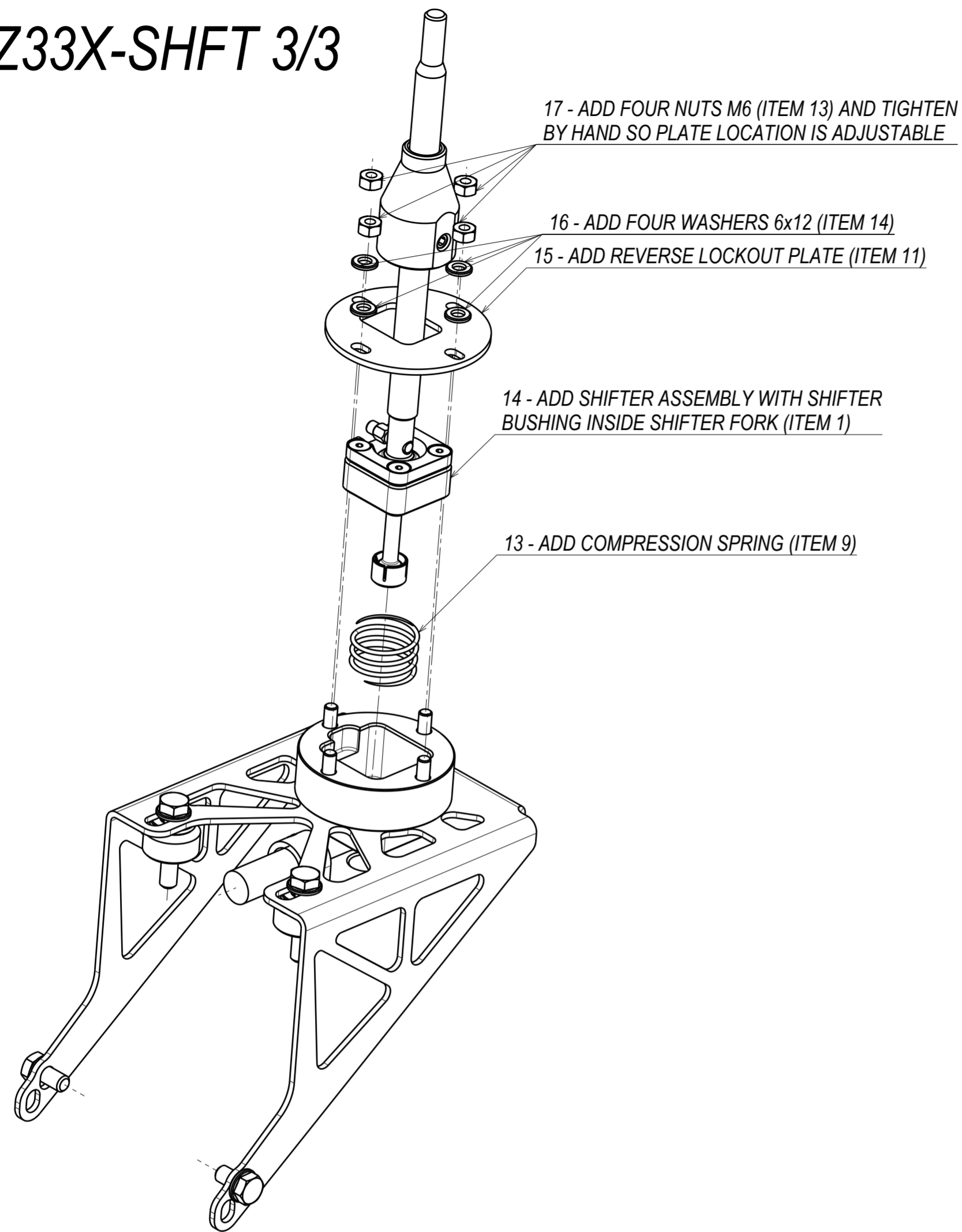
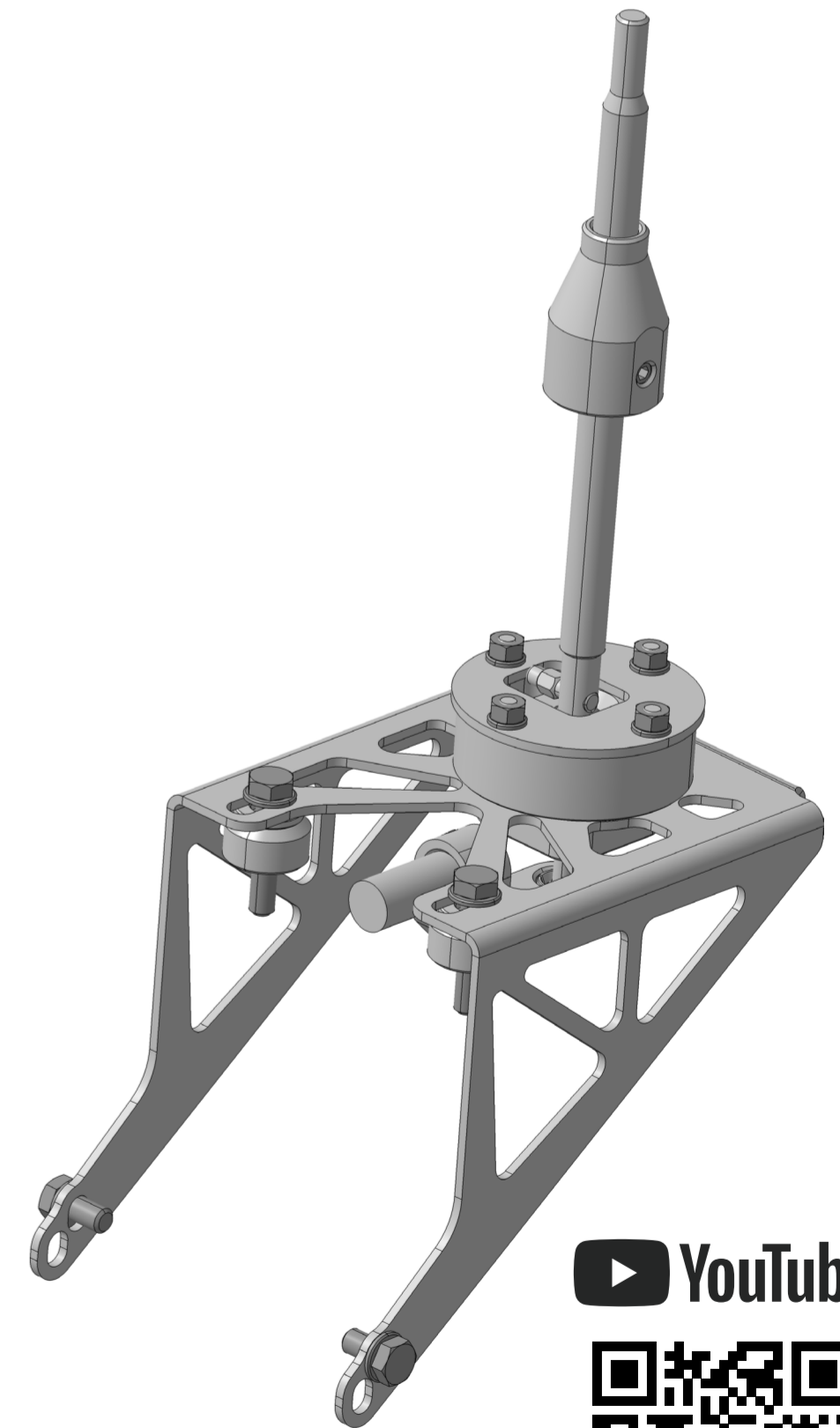
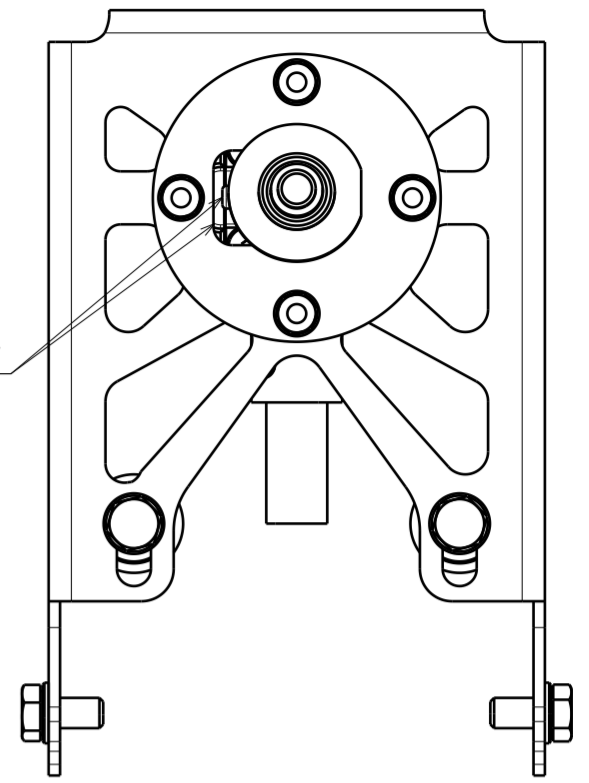


Z33X-SHFT 3/3



18 - ADJUST SHIFTER REVERSE GEAR LOCKOUT PIN TO PLATE CLEARANCE IN FIFTH OR SIXTH GEAR BY ADJUSTING THE LOCKOUT PLATE (ITEM 11) LOCATION AND THEN TIGHTEN NUTS TO 8Nm / 6lbs/ft



15	350Z SHIFTER BRACKET EXTRA SPACER	2
14	ISO 7089 8x16 GRADE A NORMAL SERIES PLAIN WASHER	4
13	ISO 4032 M6 STEEL GRADE A HEXAGON NUT	4
12	ISO 7089 6x12 GRADE A NORMAL SERIES PLAIN WASHER	4
11	350Z SHIFTER REVERSE LOCKOUT PLATE	1
10	350Z SHIFTER LEVER ASSEMBLY	1
9	COMPRESSION SPRING	1
8	ISO 7380 M6x35 HEXOGEN SOCKET BUTTON HEAD SCREW 10.9	4
7	350Z SHIFTER HOUSING	1
6	ISO 4014 M8x16-1.25 HEXAGON HEAD BOLT 8.8	2
5	ISO 4014 M8x35-1.25 HEXAGON HEAD BOLT 8.8	2
4	350Z SHIFTER BRACKET	1
3	350Z SHIFTER BRACKET SPACER	2
2	ISO 8752 SPRING PIN 6x26 STEEL SLOTTED HEAVY DUTY	1
1	350Z SHIFTER FORK	1
ITEM NO.	DESCRIPTION	QTY

 YouTube

