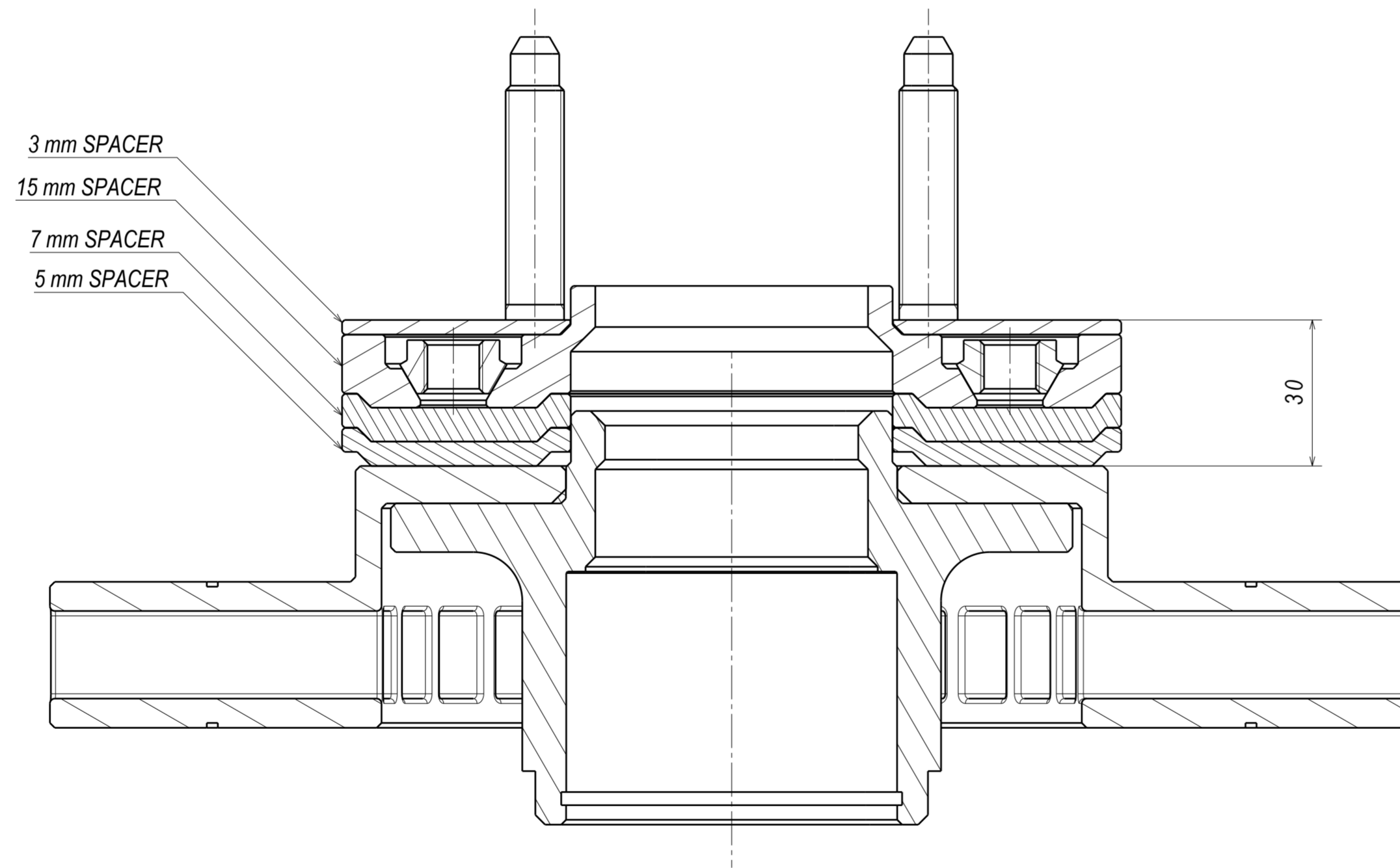
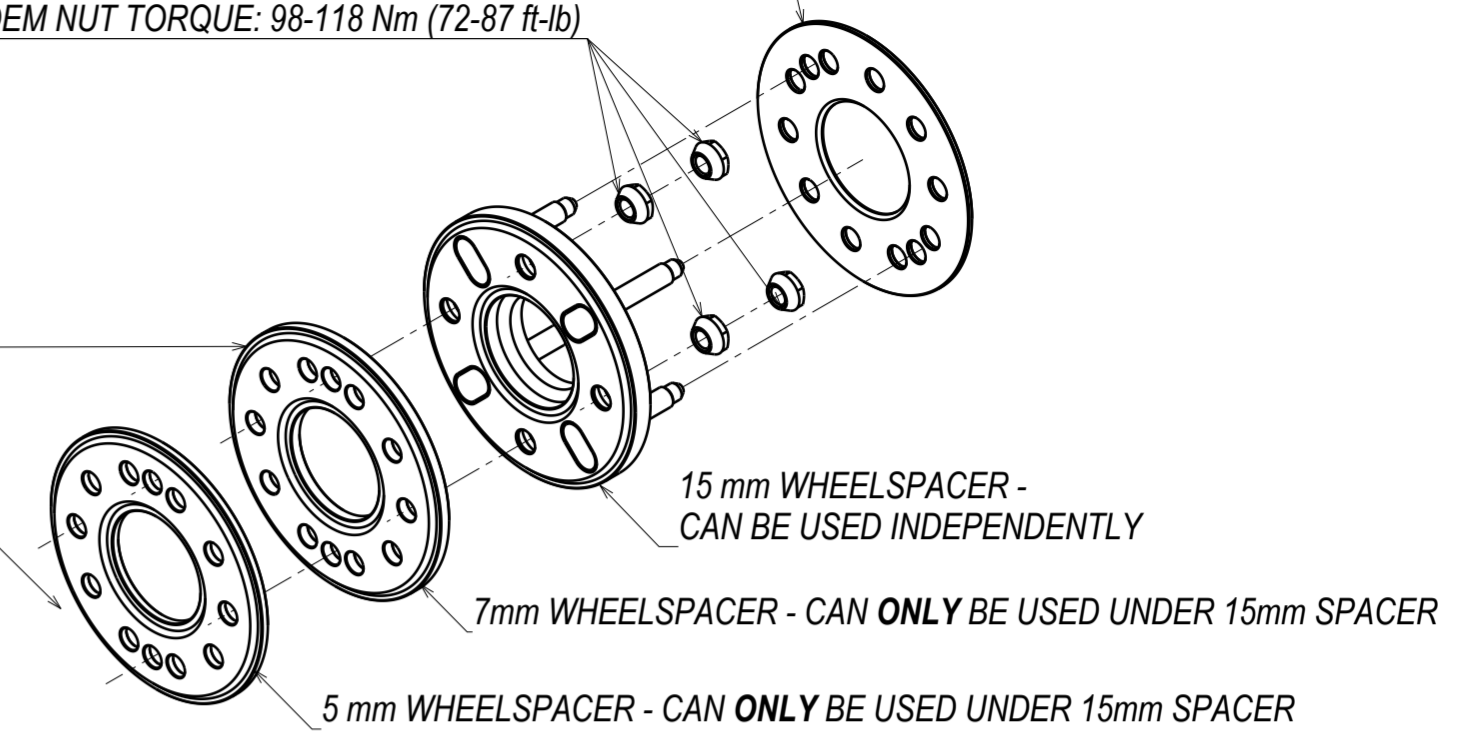


# CRITICAL!

5 & 7 mm THICK SPACERS CAN ONLY BE USED UNDER THE 15mm SPACER

3 mm SPACER - CAN BE USED INDEPENDENTLY

OEM NUT TORQUE: 98-118 Nm (72-87 ft-lb)



30 mm SPACER STACK

