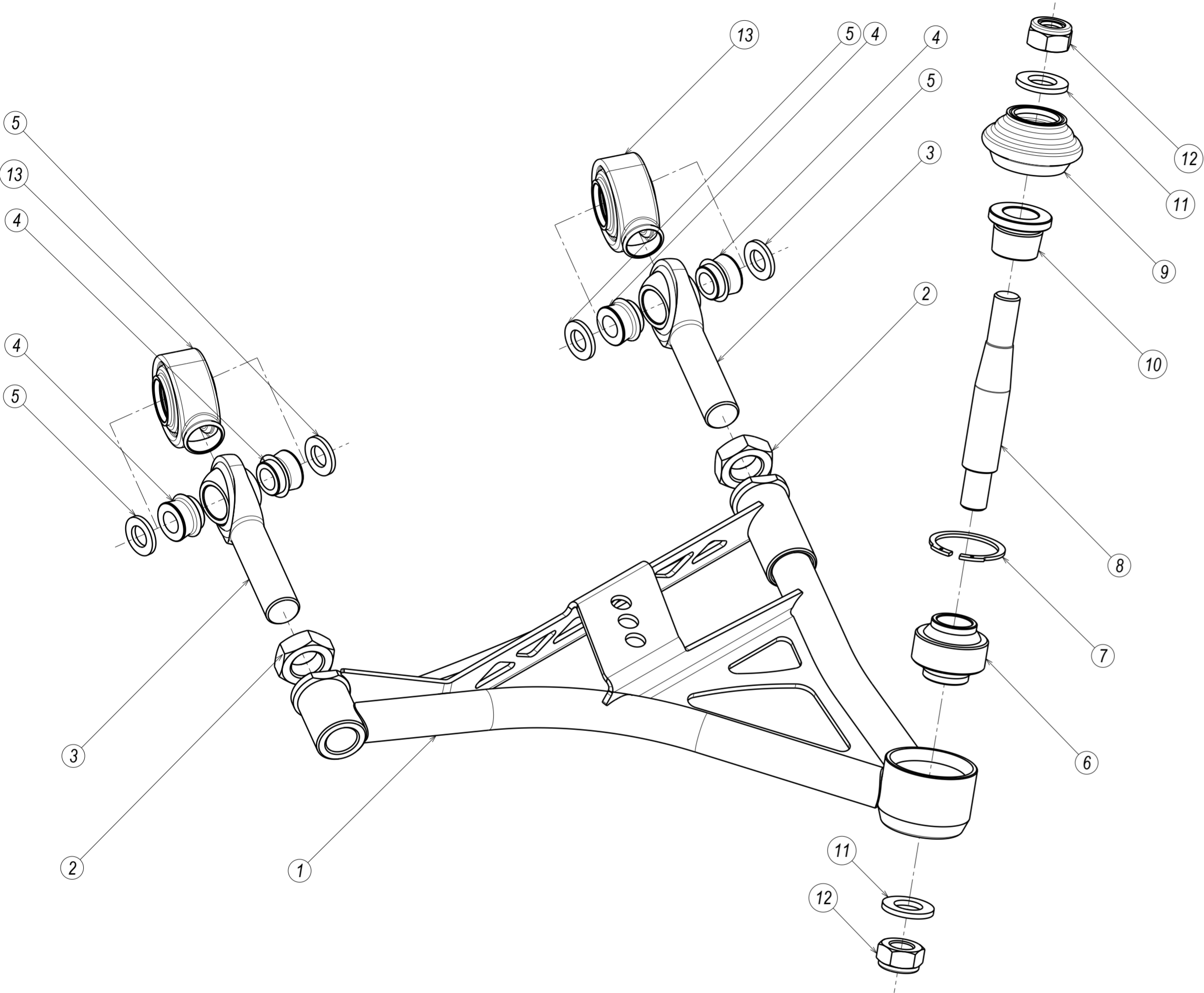
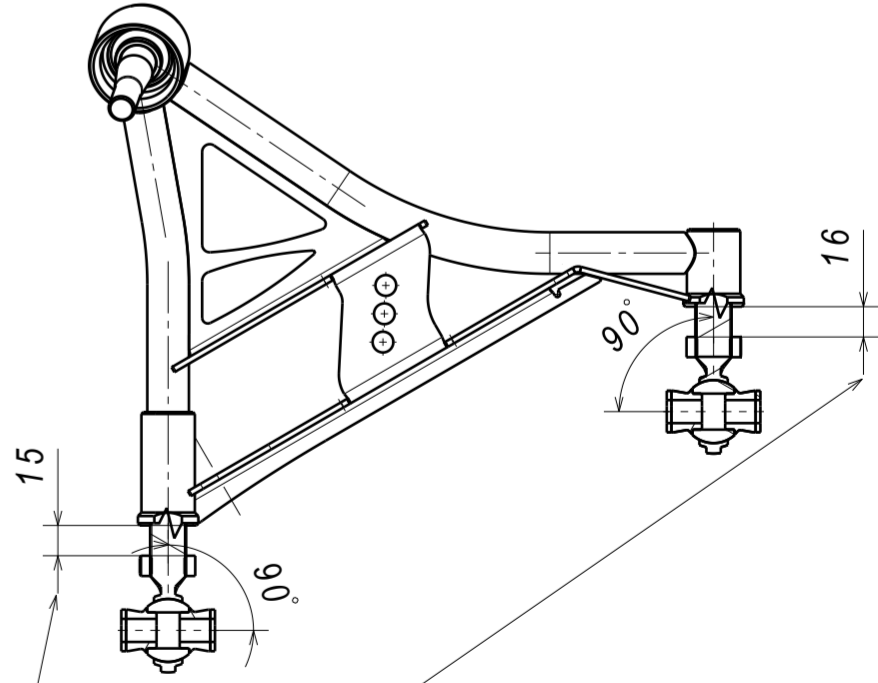


REAR-LCAX 1/2



-10mm RLCA SWAYBAR MOUNTING
 OEM SWAYBAR MOUNTING
 +15mm RLCA SWAYBAR MOUNTING
 ADJUST ROD ENDS EVENLY

S13 - 44.5 (+0.50 / -0.50)
 S14/S15 - 49.5 (+0.50 / -0.50)



METHOD 2:
 MEASURE FROM THE BOTTOM OF THE
 NUT TO THE TUBE END ON RLCA

- 1) 0 mm - 15mm SHORTER
- 2) 15 mm - OEM RLCA LENGTH
- 3) 30 mm - 15mm LONGER

13	QA1 PCML12T BOOT REV2	2
12	NYLON LOCKING NUT DIN 985-8 M14x1.5	8
11	WASHER DIN 125 M14	1
10	SHANK SPACER STD LENGTH	1
9	DUST BOOT - FRONT LCA	1
8	SHANK S14/S15 FRONT STD LENGTH	1
7	INTERNAL INVERTED CIRCLIP - 40MM	1
6	SPHERICAL BEARING YPB12-T	1
5	RLCA OFFSET WASHER 12x22x2.5	4
4	RLCA MISALIGNMENT SPACER	4
3	ROD END PCML12-TE	2
2	JAM NUT 3/4-16 UNF 3B (HEIGHT 10,7mm)	2
1	RLCA WELDED ASM L/H	1
PC NO	COMPONENT NAME	QTY