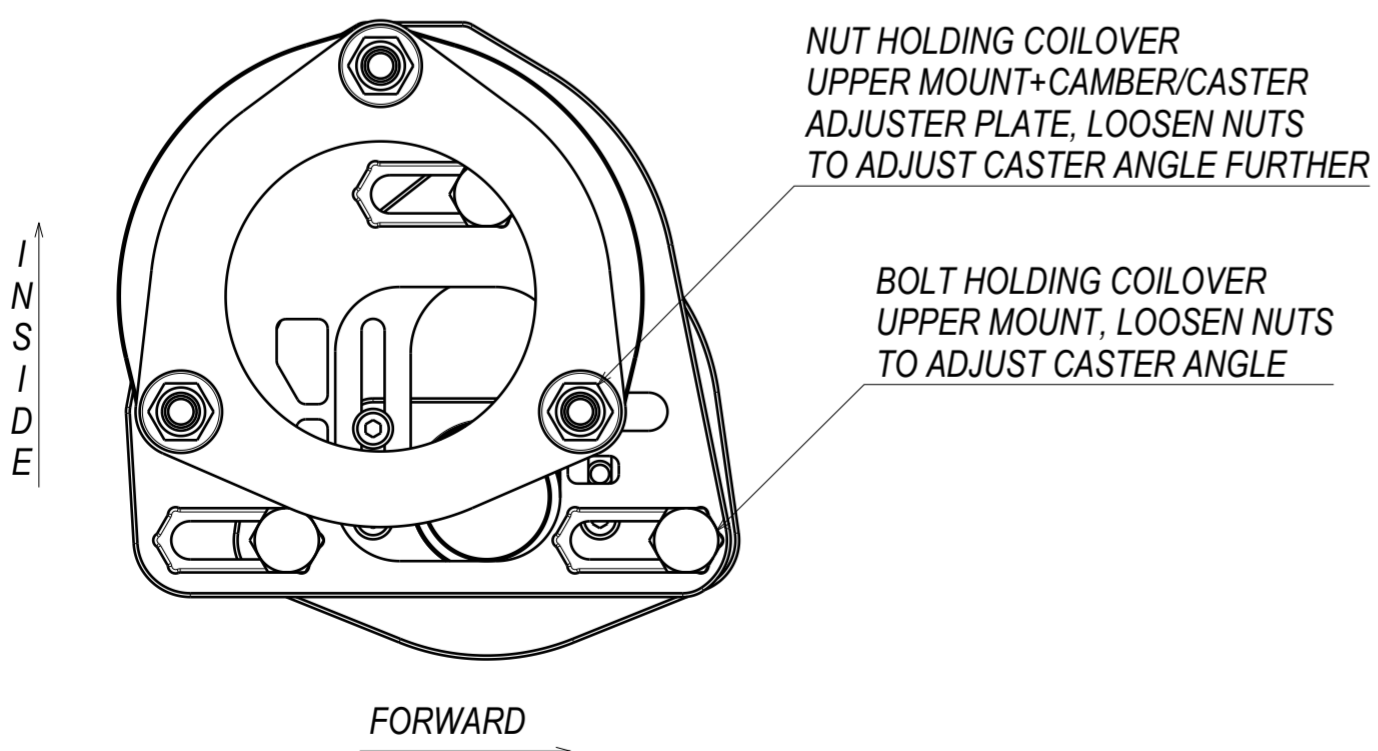
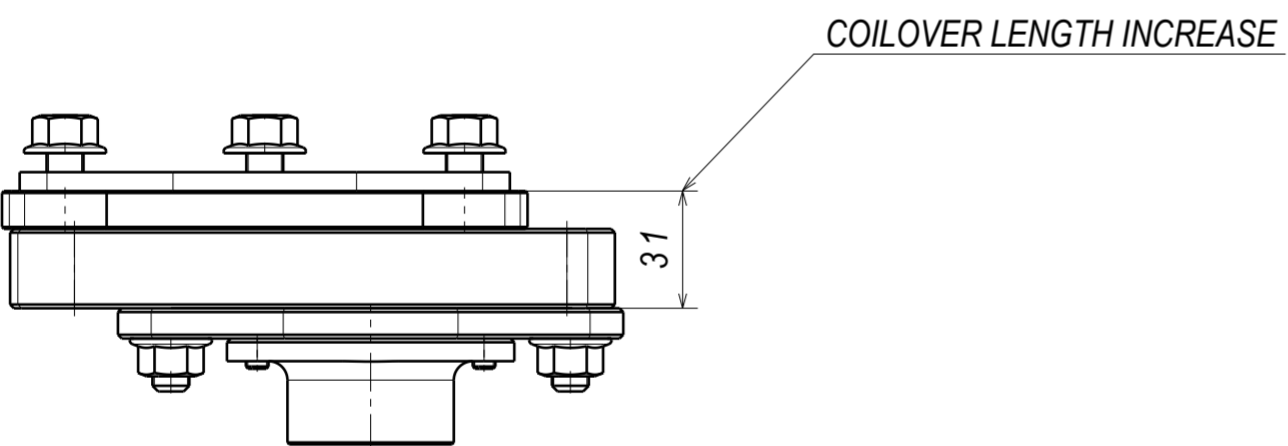
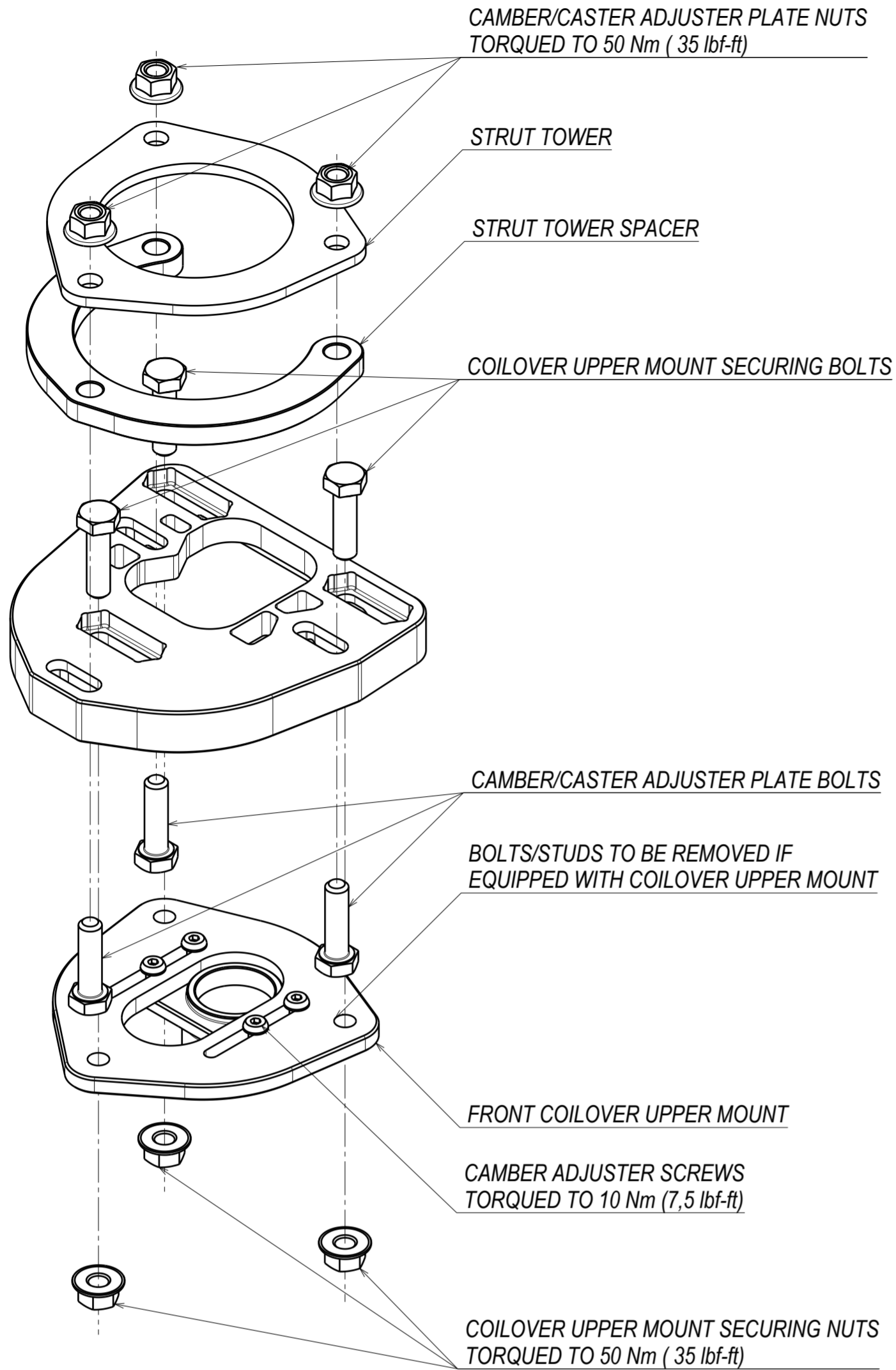
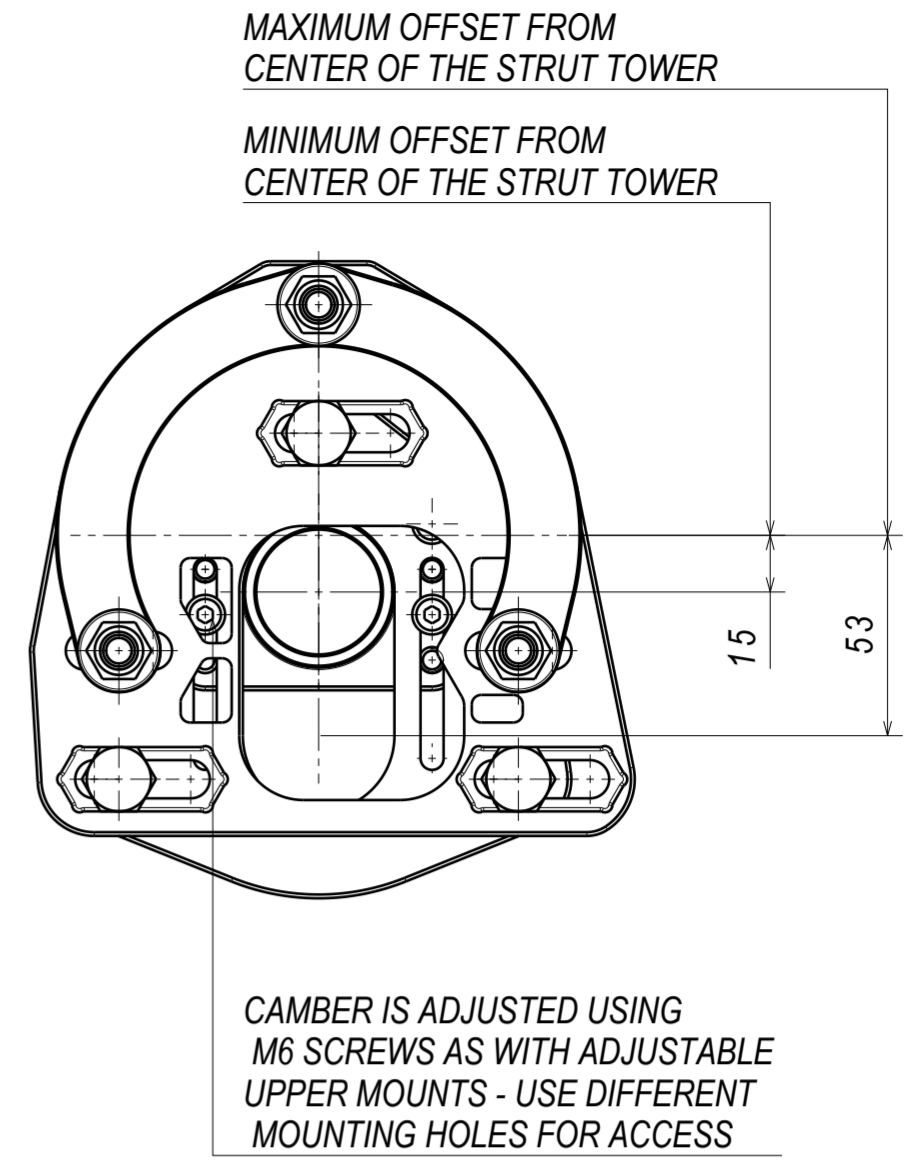


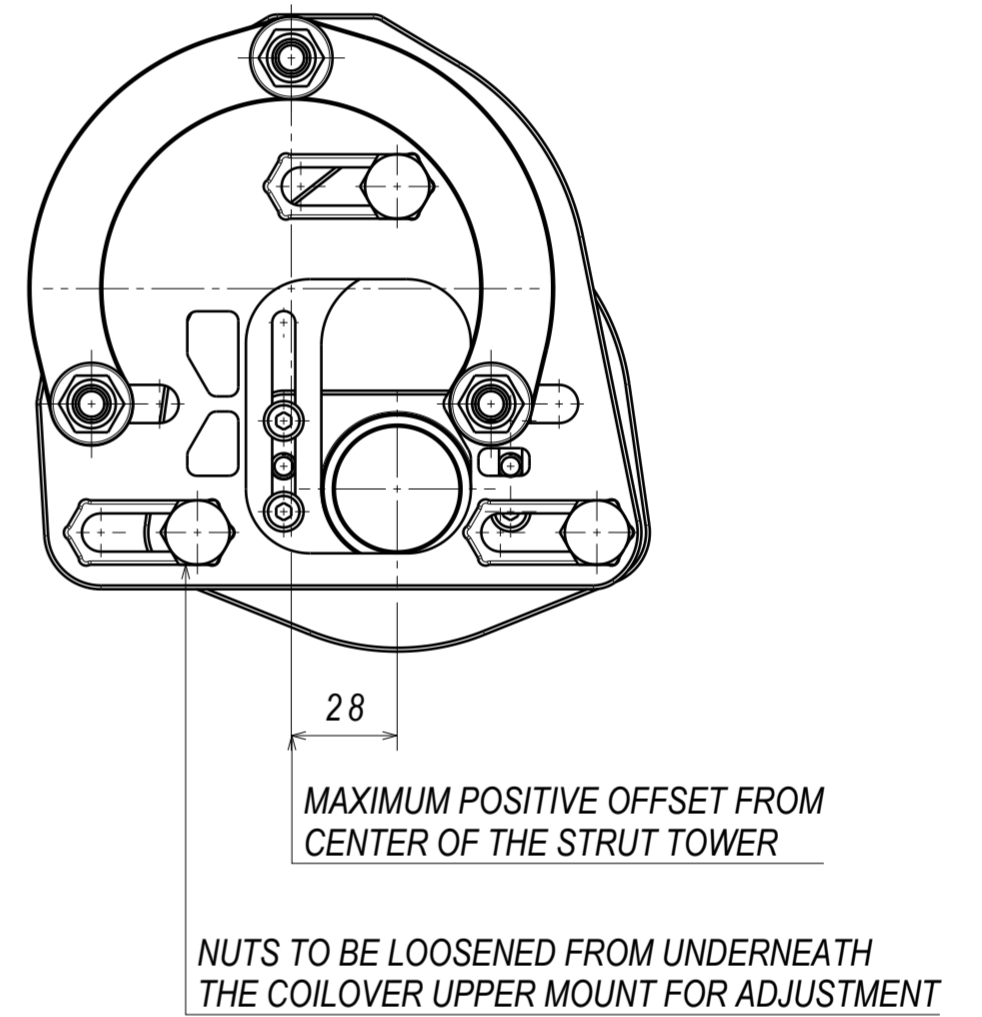
OFFX-PRMM



CAMBER ANGLE ADJUSTMENT



CASTER ANGLE ADJUSTMENT - MINIMUM



CASTER ANGLE ADJUSTMENT - MAXIMUM

