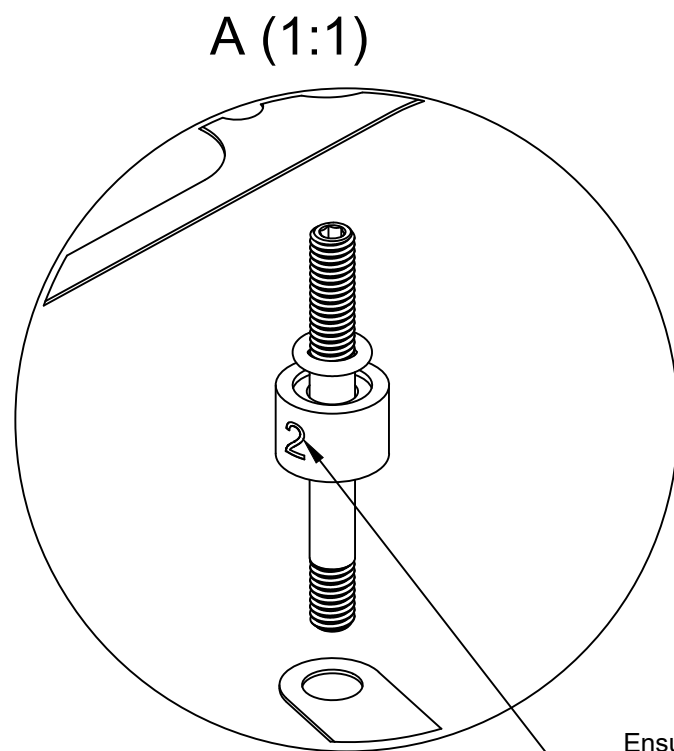
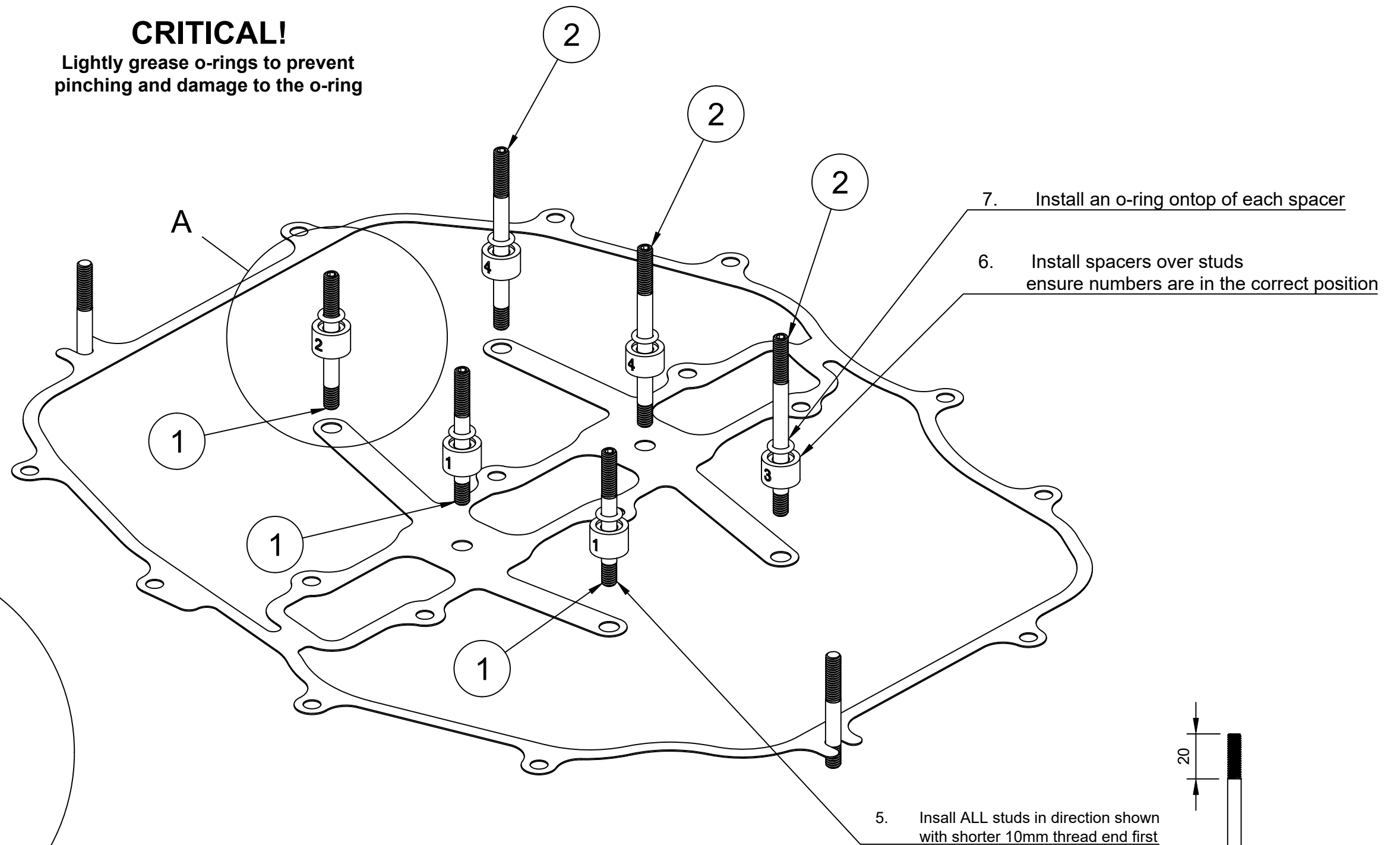


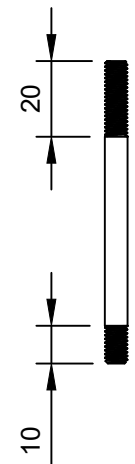
# INTK-SPCR

## 2/3

**CRITICAL!**  
Lightly grease o-rings to prevent pinching and damage to the o-ring



**CRITICAL!**  
Ensure spacers are in positions shown  
Numbers represent different heights  
to ensure correct manifold spacing



Item	Qty	Description
2	3	M6 x 1.0 x 80 STUD
1	3	M6 x 1.0 x 60 STUD
Parts List		